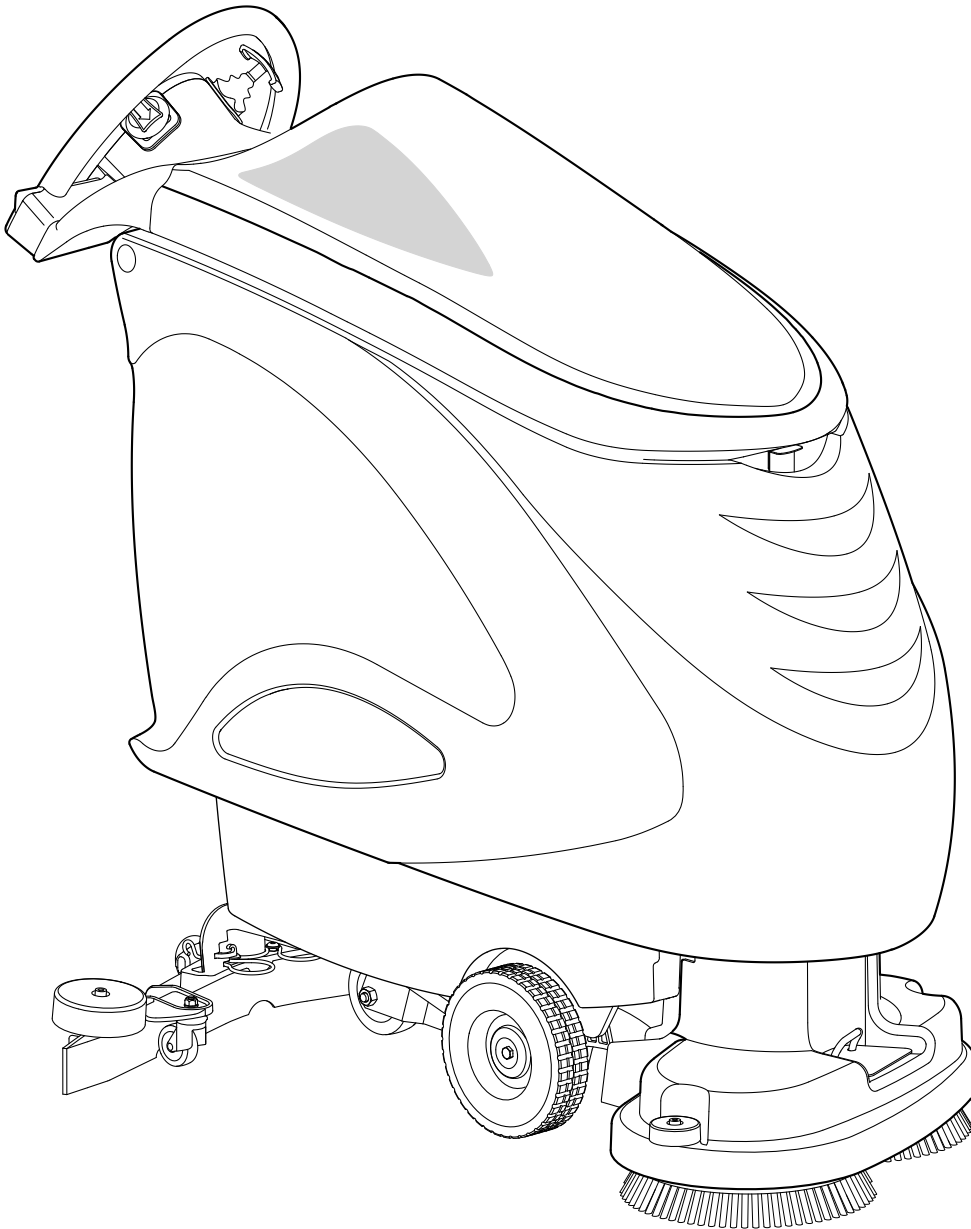




# swingo 755B/855B/955B/1255B Power

EN .2  
ES .18  
FR .34  
PT .50



- BG** С настоящото декларираме, че цитираната по-долу машина съответства по концепция и конструкция, както и по начин на производство, прилаган от нас, на съответните основни изисквания за техническа безопасност и безвредност на Директивите на ЕС. При изменение на продукта, което не е съгласувано с нас, тази декларация губи своята валидност.
- CZ** Tímto prohlášíme, že níže označené stroje odpovídají jejich základní koncepci a konstrukčním provedením, stejně jako námi do provozu uvedenými konkrétními provedeními, příslušným zásadním požadavkům o bezpečnosti a ochraně zdraví směrnicí EU. V případě změny výrobku, která nebyla námi odsouhlasena, ztrácí toto prohlášení svou platnost.
- DA** Hermed erklærer vi, at den nedenfor nævnte maskine i design og konstruktion og i den af os i handlen bragte udgave overholder de gældende grundlæggende sikkerhedsog sundhedskrav i EU-direktiverne. I tilfælde af ændringer af produktet, som vi ikke har godkendt, bortfalder gyldigheden af denne erklæring.
- DE** Hiermit erklären wir, dass die nachfolgend bezeichnete Maschine aufgrund ihrer Konzipierung und Bauart sowie in der von uns in Verkehr gebrachten Ausführung den einschlägigen grundlegenden Sicherheits- und Gesundheitsanforderungen der EU-Richtlinien entspricht. Bei einer nicht mit uns abgestimmten Änderung des Produktes verliert diese Erklärung ihre Gültigkeit.
- EN** We hereby declare that the machine described below complies with the relevant basic safety and health requirements of the EU Directives, both in its basic design and construction as well as in the version put into circulation by us. In the event of a product amendment which was not cleared by us, this declaration shall no longer be valid.
- ES** Por la presente declaramos que la máquina designada a continuación cumple, tanto en lo que respecta a su diseño y tipo constructivo como a la versión puesta a la venta por nosotros, las normas básicas de seguridad y sobre la salud que figuran en las directivas comunitarias correspondientes. En caso de realizar una modificación no autorizada por nosotros, esta declaración pierde su validez.
- ET** Käesolevaga kinnitame, et allpool kirjeldatud seade vastab meie poolt muudetud mudelina oma kontseptsioonilt ja konstruktsioonilt EL direktiivide asjakohastele põhilistele ohutus- ja tervisekriteeriumidele. Käesolev kinnitus kaotab kehtivuse, kui toodet muudetakse meiega kooskõlastamata.
- FI** Vakuutamme, että alla mainitut tuotteet vastaavat suunnittelultaan ja rakenteeltaan sekä valmistustavaltaan EU-direktiivien asianomaisia turvallisuus- ja terveysvaatimuksia. Mikäli tuotetta muutetaan ilman meidän antamaa lupaa, tämä ilmoitus lakkaa olemasta voimassa.
- FR** Nous certifions par la présente que la machine spécifiée ci-après répond de par sa conception et son type de construction ainsi que de par la version que nous avons mise sur le marché aux prescriptions fondamentales stipulées en matière de sécurité et d'hygiène par les directives européennes en vigueur. Cette déclaration perd sa validité si le produit est modifié sans notre consentement.
- GR** Δια της παρούσης δηλώνουμε ότι το μηχάνημα που χαρακτηρίζεται παρακάτω, με βάση τη σχεδίαση και την κατασκευή του, υπό τη μορφή που διατίθεται στην αγορά, πληροί στις σχετικές βασικές απαιτήσεις ασφαλείας και υγιεινής των οδηγιών της ΕΕ. Σε περίπτωση τροποποίησης του προϊόντος χωρίς τη συγκατάθεσή μας, η παρούσα δήλωση θα καταστεί άκυρη.
- HR** Izjavljujemo da navedeni uređaj u svojoj zamisli i konstrukciji te kod nas korištenoj izvedbi odgovara osnovnim sigurnosnim i zdravstvenim zahtjevima u skladu s niže navedenim direktivama Europske Zajednice. U slučaju neovlaštena izmjene proizvoda prestaje valjanost ove izjave.
- HU** Ezennel tanúsítjuk, hogy az alábbiakkban megnevezett gép tervezése és építési módja alapján az általunk forgalomba hozott kivitelben megfelel az EU irányelvek vonatkozó, alapvető biztonsági és egészségügyi követelményeinek. Amennyiben olyan módosítás történik a termékben, amelyet előzetesen nem egyeztetett velünk, akkor a jelen nyilatkozat érvényét veszti.
- IT** Con la presente si dichiara che la macchina qui di seguito indicata, in base alla sua concezione, al tipo di costruzione e nella versione da noi introdotta sul mercato, è conforme ai requisiti fondamentali di sicurezza e di sanità delle direttive UE. In caso di modifica del prodotto senza la nostra autorizzazione, questa dichiarazione non sarà più valida.
- LT** Šiuo pareiškiame, kad toliau aprašyto aparato brėžiniai ir konstrukcija bei mūsų į rinką išleistas modelis atitinka pagrindinius ES direktyvų saugumo ir sveikatos apsaugos reikalavimus. Ši deklaracija netenka galios, jei gaminyso pakeičiamas nesuderinamus jo pakeitimų su mumis.
- LV** Ar šo mēs paziņojam, ka turpmāk minētā iekārta, pamatojoties uz tās konstrukciju un izgatavošanas veidu, kā arī mūsu apgrozībā laistajā izpildījumā atbilst ES direktīvu attiecīgajām galvenajām drošības un veselības aizsardzības prasībām. Ja tiek veikta ar mums nesaskaņota izstrādājuma izmaiņšana, šī deklarācija nav derīga.
- NL** Hierbij verklaart wij dat de hierina vermelde machine door haar ontwerp en bouwwijze en in de door ons in de handel gebrachte uitvoering voldoet aan de betreffende fundamentele veiligheids- en gezondheidsvoorschriften, zoals vermeld in de desbetreffende EU-richtlijnen. In geval van een niet met ons overeengekomen wijziging van het product, verliest deze verklaring haar geldigheid.
- NO** Vi erklærer hermed at maskinen angitt nedenfor oppfyller de grunnleggende sikkerhetsog helsekravene i de relevante EU-direktivene, med hensyn til både design, konstruksjon og type markedsført av oss. Ved endringer av produkter som ikke er godkjent fra oss, bortfaller denne erklæringen.
- PL** Niniejszym oświadczamy, że określone poniżej urządzenie odpowiada pod względem koncepcji, konstrukcji oraz wprowadzonej przez nas do handlu wersji obowiązującym wymogom dyrektyw UE dotyczącym wymagań w zakresie bezpieczeństwa i zdrowia. W przypadku dokonania nieuzgodnionych z nami zmian w produkcie niniejsza deklaracja traci ważność.
- PT** Declaramos que a máquina a seguir designada corresponde às exigências de segurança e de saúde básicas estabelecidas nas Directivas UE por quanto concerne à sua concepção e ao tipo de construção assim como na versão lançada no mercado. Em caso de uma alteração do produto que não tenha sido autorizada por nós, esta declaração perde a sua validade.
- RO** Prin prezenta declarăm că aparatul desemnat mai jos corespunde cerințelor fundamentale privind siguranța în exploatare și sănătatea inclusă în directivele UE aplicabile, datorită concepției și a modului de construcție pe care se bazează, în varianta comercializată de noi. La o modificare a produsului care nu a fost aprobată de noi în prealabil, această declarație își pierde valabilitatea.
- RU** Настоящим мы заявляем, что нижеуказанный прибор по своей концепции и конструкции, а также в осуществленном и допущенном нами к продаже исполнении отвечает соответствующим основным требованиям по безопасности и здоровью согласно директивам ЕС. В случае несогласованного с нами изменения изделия настоящая заявка становится недействительным.
- SK** Týmto vyhlasujeme, že ďalej označený stroj zodpovedá na základe jeho koncepcie a konštrukcie a takisto vyhotovenia, ktoré sme dodali, príslušným základným požiadavkám na bezpečnosť a ochranu zdravia uvedeným v smerniciach EÚ. V prípade zmeny výrobku, ktorá s nami nebola konzultovaná, stráca toto vyhlásenie svoju platnosť.
- SL** S to izjavo potrjujemo, da spodaj omenjeni stroj zaradi svoje zaslove in načina izdelave ustreza temeljnim in zdravstvenim zahtevam EU-standardov. V primeru spremembe izdelka, ki ni bila potrjena z naše strani, ta izjava ni več veljavna.
- SV** Härmed försäkras vi att nedanstående betecknade maskin i ändamål och konstruktion samt i den av oss levererade versionen motsvarar EU-direktivens tillämpliga grundläggande säkerhets- och hälsokrav. Vid av oss ej godkända ändringar på produkten upphör denna förklaring att gälla.
- TR** İşbu belge ile aşağıda tanımlanan makinenin konsepti ve tasarım ve tarafımızdan piyasaya sürülen modeliyte AB yönetmeliklerinin temel teşkil eden ilgili güvenlik ve sağlık yükümlülüklerine uygun olduğunu bildiririz. Üründe yapılan herhangi bir değişiklikt bu beyanı geçersiz kılar.
- YU** Ovim izjavljujemo da ovde opisana mašina po svojoj koncepciji i načinu izrade, sa svim njenim modelima koje smo izneli na tržište, odgovara osnovnim zahtevima dole navedenih propisa Evropske Zajednice o sigurnosti i zdravstvenoj zaštiti. U slučaju izmena na proizvodu koje nisu dogovorene s nama, ova izjava ne važi.

Item description: Scrubber dryer machine for commercial use

Model: swingo 755B / 855B / 955B / 1255B Power

Type: C0755.1 | C0855.1 | C0955.1 | C01255.1

Serial Number: Refer to the rating label on the machine

Trademark: TASKI®

Manufacturer: Diversey Europe Operations B.V., Maarssebroeksedijk 2, NL - 3542 DN Utrecht

Produced by: Diversey Switzerland Production GmbH, Eschlikonerstrasse, 9542 Münchwilen TG, Switzerland



Applicable EU Directives:

Directive 2006/42/EC | Directive 2014/30/EU

Harmonised standards:

EN 60335-1: 2012+A11:2014 / EN 60335-2-72: 2012 / EN 62233: 2008 / EN 55012: 2007+A1: 2009 / EN 55014-2: 1997+A1: 2001+A2: 2008 /

Authorized signatory:

  
Andreas Bosch

Executive Director Machines and Robotics  
Münchwilen, 06.11.2020

  
Diversey Europe Operations BV  
Maarssebroeksedijk 2  
3542 DN Utrecht - The Netherlands

Responsible for technical file:

Andreas Bosch  
Executive Director Machines and Robotics  
Diversey Europe B.V. Utrecht  
Zweigniederlassung Münchwilen  
Eschlikonerstrasse  
9542 Münchwilen - Switzerland

CE first applied: 10.2009

The signatories act on behalf of company management and with full power of attorney.

## EN Translation of the original instructions of use



Always read the instructions of use and the safety instructions before using the machine for the first time. The instructions of use must be kept in a safe and well-accessible place so that you can refer to them at any time.

### Legend:



#### **Danger:**

This sign designates important information. Failure to follow these instructions may endanger persons and/or cause extensive property damage!



#### **Warning:**

This sign designates important information. Failure to follow these instructions may endanger persons, result in malfunctions, and cause property damage!



#### **Caution:**

This sign designates important information. Failure to follow these instructions may result in malfunctions and property damage!



#### **Notice:**

This sign designates important information regarding the efficient use of the product. Failure to follow these instructions may cause malfunctioning!

### Content

Safety instructions	2
Cleaning products	3
Further documents	3
Environmental protection	3
Structural layout	4
Batteries	5
Prior to commissioning	7
Beginning work with the machine	9
End of operation	10
Service, maintenance and care	12
Malfunctions	14
Technical information	15
Accessories	15
Transport	16
Disposal	16
Machine Dimensions	16

### Intended use

The machine is intended for commercial use (e.g. in hotels, schools, hospitals, factories, shopping centers, offices, etc.). Subject to strict compliance with the instructions of use, these machines are used for the wet cleaning of hard flooring. These machines are exclusively designed for use in interior zones.



#### **Caution:**

The machine must not be used for polishing, oiling, the application of wax, carpet cleaning or dust removal. The wet cleaning of parquet and laminate flooring with this machine is at your own risk.



#### **Danger:**

Changes to the machine without authorization from Diversey will invalidate the safety marks and CE conformity. Using the machine in a way contrary to the intended purpose can cause personal injury as well as damage to the machine and the working environment. Such cases will usually result in the termination of any warranty and any possible guarantee claims.

### Safety instructions

Due to their design and construction, TASKI machines comply with the relevant essential health and safety requirements of the EC directives; they therefore have the CE sign.



#### **Danger:**

The machine may only be used by persons who are adequately trained to use the machine or who have provided proof of their skills for using the machine and who are explicitly tasked with using the machine.



#### **Danger:**

The machine must not be used by people with reduced physical, sensory, or mental capacities, including children or people who lack experience or knowledge.

*Children must be supervised to ensure that they do not play with the machine.*



#### **Danger:**

Do not use the machine in rooms where explosive or highly combustible substances (e.g. gas, solvents, heating fuel, dust, etc.) are stored or processed.

*These substances could be ignited by the electrical or mechanical components of the machine.*



#### **Danger:**

Do not use the machine to vacuum up toxic, harmful, corrosive or irritant substances (e.g. dangerous dust, etc.) or flammable liquids. The filter system does not adequately filter out these kinds of substances.

*Possible impacts on the health of the user or third persons cannot be ruled out.*



#### **Danger:**

Pay attention to conditions in the area as well as third persons and children! In the vicinity of blind spots, such as doors or curves, it is important to reduce speed.



#### **Danger:**

Do not transport additional persons and objects with this machine.



#### **Danger:**

If the machine malfunctions, there is a defect, the machine collides with something, or the machine topples over, it must be inspected by an authorized expert before restarting. The same applies if the machine was left outdoors, immersed in water, or exposed to moisture.

**STOP Danger:**

Cease operation of the machine immediately if safety-related parts such as brush covers, power supply cords, or covers that enable access to live parts are damaged!

**STOP Danger:**

Do not stop, park, or store the machine on slopes.

**STOP Danger:**

Whenever work is performed on the machine, it must be switched off and the key must be removed.

**STOP Danger:**

The machine can be used on slopes <2%. Be sure to drive slowly on slopes using the "turtle mode" in order to ensure the machine can be stopped safely. Sharp cornering on slopes can affect the stability of the machine and is therefore prohibited. Danger of accident.

**STOP Danger:**

The machine may only be used on a paved, stable and sufficiently strong load-bearing surface.

*In the case of non-adherence there is a risk of accidents.*

**Warning:**

The machine must be operated and stored exclusively in a dry and low-dust environment at temperatures between +10°C / + 50 °F and +35°C/ + 95 °F degrees.

**Warning:**

Only authorized experts who are familiar with all safety instructions relevant to this machine are allowed to repair mechanical or electrical machine parts.

**Warning:**

Only tools (brushes, pads or similar) that are specified in these instructions of use under accessories, or which have been recommended by a TASKI consultant, may be used. Any other brushes might impair the safety and functions of the machine.

**Warning:**

National regulations for personal protection and accident prevention, as well as the manufacturer's instructions for the use of cleaning solutions, must be consistently observed.

**Caution:**

In case of foam or liquid leakage from the machine, the suction unit must be switched off immediately.

**Caution:**

Use this machine with suitable batteries and approved chargers only.

**Caution:**

The machine must be protected against unauthorized use. Always pull out the key before leaving the machine or store the machine in a locked room.

**i Notice:**

TASKI machines and devices are designed such that health risks caused by noise emissions or vibrations can be ruled out according to the current state of science.

See the technical data on page 15.

### Cleaning products

**i Notice:**

TASKI machines are designed to produce optimal cleaning results when TASKI cleaning products are used. Other cleaning products may cause malfunctions and damage to the machine or the environment. Therefore, we recommend the exclusive use of TASKI cleaning products.

*Malfunctions caused by the use of inappropriate cleaning products are not covered by the warranty.*

- For further details, please contact your TASKI service partner.

### Further documents

**i Notice:**

The machine's electric diagram can be found in the spare parts list.

- Please contact your customer service for further information.

**i Notice:**

These instructions of use, as well as all instructions of use for TASKI machines, are available on the following website:

[www.taski.com](http://www.taski.com)

### Environmental protection



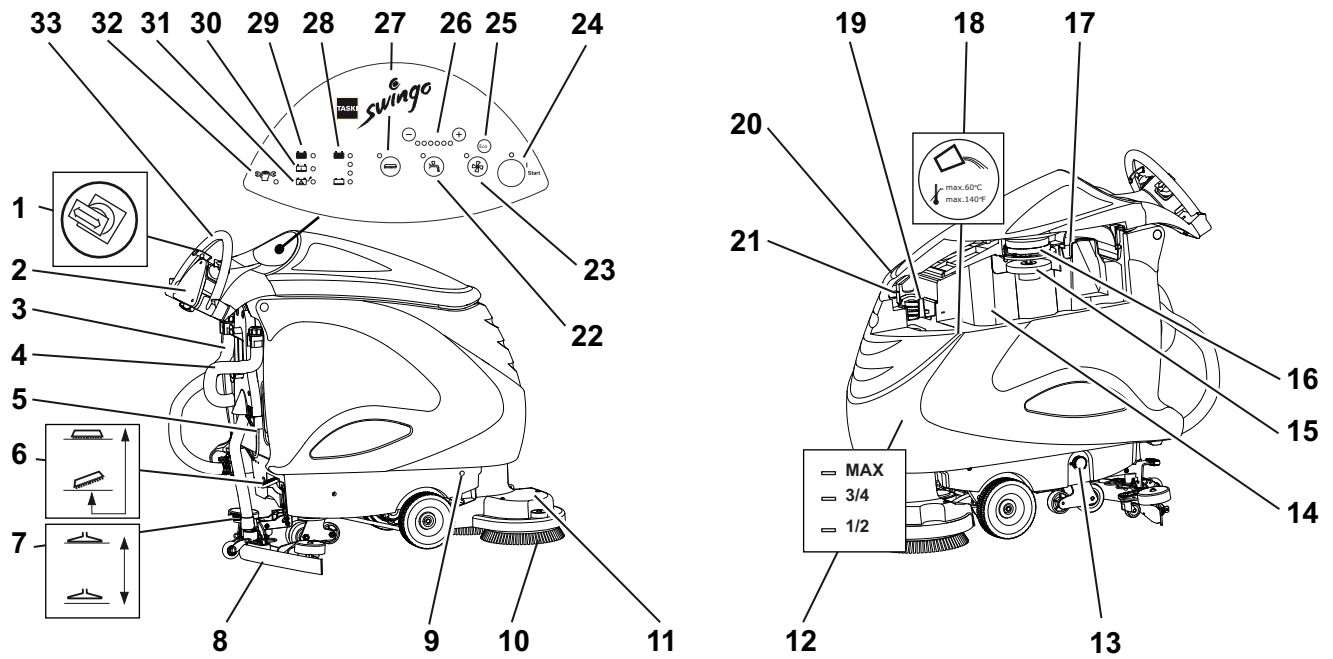
The packaging materials are recyclable. Please do not throw packaging in the domestic waste but pass it on for recycling.



Old units contain valuable recyclable materials. Batteries, oil and similar substances may not be released into the environment. Therefore please dispose of old units through suitable collection systems.



## Structural layout



- 1 Driving switch
- 2 Operating hour counter (option)
- 3 Drain hose cleaning solution (blue cover)
- 4 Drain hose waste water (red cover)
- 5 Battery disconnection socket (coding)
- 6 Variant: Foot pedal tool
- 7 Foot pedal suction nozzle
- 8 Suction nozzle
- 9 Option: Lock battery compartment
- 10 Tools (brushes, pads, etc.)
- 11 Brush unit
- 12 Filling level indicator
- 13 Fresh water tank filter
- 14 Recovery tank
- 15 Float (Overfill protection recovery tank)
- 16 Suction filter
- 17 Dirt sieve
- 18 Fresh water tank
- 19 Dosage aid
- 20 Tank lid
- 21 Tank lid release
- 22 Cleaning solution supply button (ON/OFF)
- 23 Suction unit button (ON/OFF)
- 24 Key switch
- 25 ECO mode button (ON/OFF)
- 26 Cleaning solution supply amount button (+/-)
- 27 Tool drive button ON / OFF (only with 1255B EBU)
- 28 Battery level indicator
- 29 Battery display loaded
- 30 Battery display loading
- 31 Battery/PSU fault display
- 32 Service display
- 33 Driving handle

## Batteries

### Permissible batteries

Traction batteries must be used in this machine (no wet battery sets, starter or device batteries). We recommend the use of pure traction batteries. Only these batteries can ensure a long service life.

Traction batteries are produced as closed and maintenance-free (VR-LA) batteries (gel and AGM, Pure Lead, and lithium). The machine must be adjusted accordingly for each design type and manufacturer. Each battery has a different service life and performance.

The machine and charger must be programmed after the batteries have been inserted, when the battery type and/or the manufacturer are changed, and prior to starting the machine.

Incorrect adjustment may result in early battery failure.

#### **i Notice:**

**Do not use different, old batteries with new or defective batteries.**

#### **i Notice:**

**Old and/or defective batteries must be disposed of properly. See the information on page 16**

### Safety measures to be taken when handling batteries



Batteries contain acid. Always wear safety goggles when performing maintenance, installing, or removing wet battery sets.



Rinse acid splashes in your eyes or on your skin with plenty of clear water. Then immediately consult a doctor. Wash your clothes with water!



Charging batteries creates a dangerous gas mixture. Keep away from open fire or glowing embers.



Do not smoke!



Danger of acid burns!



Attention! The battery poles are always energized, therefore do not place any objects on the batteries!

#### **⚠ Caution:**

**Keep batteries clean and dry. Immediately wipe off leaking acid or water.**

- Wear protective gloves for this purpose.

#### **⚠ Caution:**

**Batteries may only be installed by service agencies or experts approved by Diversey; they must be installed in compliance with the connection diagram.**

*Installation and/or connection errors may result in severe injury, explosion and major damage to the machine and the environment.*

#### **⚠ Caution:**

**Ensure adequate ventilation when charging the battery.**

#### **i Notice:**

**The product safety data sheet provided by the battery manufacturer must be observed.**

#### **i Notice:**

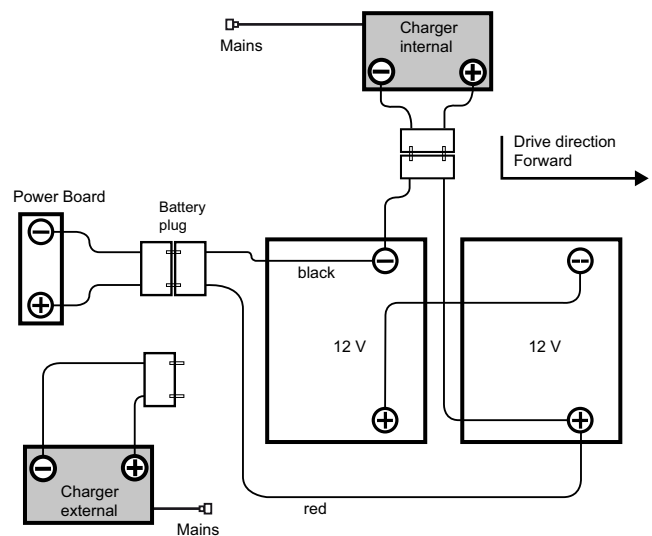
**The operating instructions provided by the battery manufacturer must be met.**

#### **⚠ Caution:**

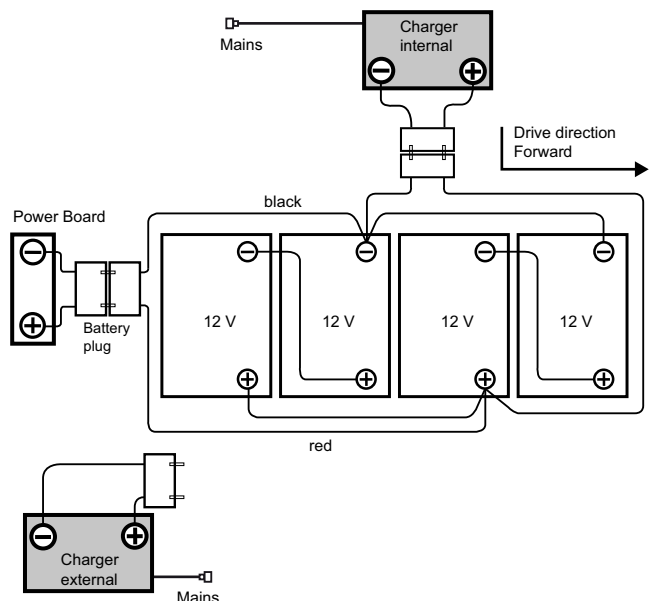
**Always disconnect the batteries from the machine before starting maintenance work.**

### Battery connection diagram

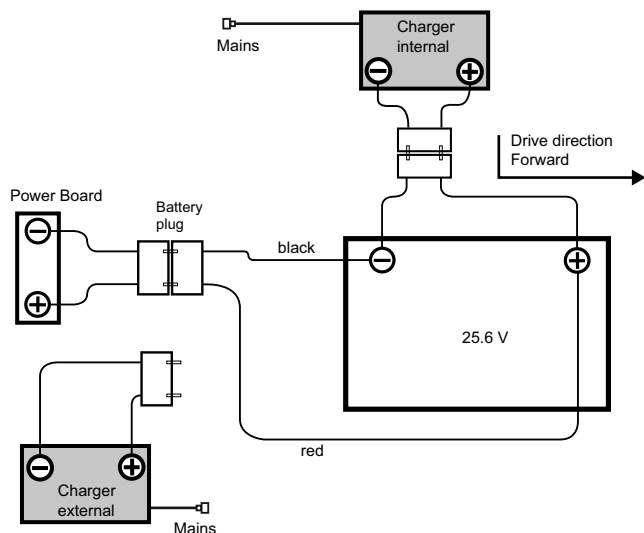
#### swingo 755B/855B/955B Power (Gel)



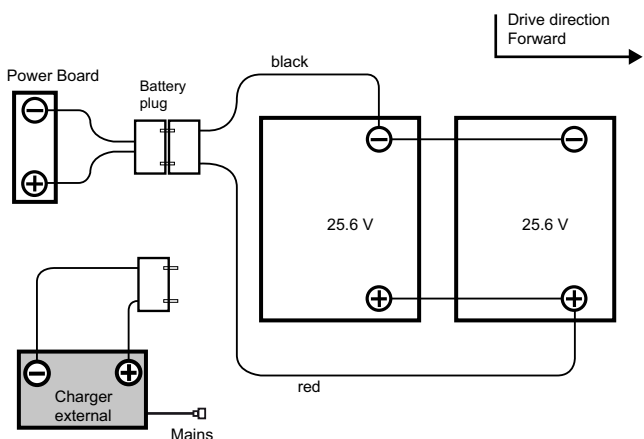
#### swingo 1255B Power (Gel)



## swingo 755B/855B/955B Power (Lithium 50Ah)



## swingo 755B/855B/955B/1255B Power (Lithium 100Ah)



### In an emergency

#### **STOP Danger:**

In the event of an emergency (incorrect functioning of the machine), the battery disconnection plug must be pulled out.

### Charging process

#### **⚠ Caution:**

Please pay careful attention to the instructions of use provided by the manufacturer of the external battery charging device.

#### **⚠ Caution:**

**Each battery type and/or battery manufacturer requires different charging characteristics.**

*Incorrect charging characteristics or the use of inappropriate chargers may result in early failure or the quick destruction of batteries.*

#### **i Notice:**

Optionally available on-board chargers are adapted to the battery size and contain several charging curves, which are adjusted ex factory or by a TASKI service technician for recommended batteries. This regulation also applies for the use of stationary (external) chargers.

#### **⚠ Caution:**

Persistent short-term use with subsequent battery charging may cause long-term damage to the batteries.

- Standard value: At least approx. 20% of the available capacity should be used up before recharging the battery.

#### **⚠ Caution:**

In order to achieve the maximum possible service life, traction batteries must run through a complete charging cycle (12-16 hours) twice a week.

#### **⚠ Caution:**

Before decommissioning the machine for a longer period, the batteries must run through a complete charging cycle. The charger is then disconnected from the machine and/or mains. Batteries gradually discharge. Depending on the type of battery, they must be recharged after 3-6 months.

- Before recommissioning, the batteries should run through another complete charging cycle.

#### **⚠ Caution:**

Disconnect the battery disconnection socket for a longer shutdown of the machine.

### Charging procedure with external charger

#### **i Notice:**

Only chargers recommended by the battery manufacturer and certified according to SELV (safety extra-low voltage) may be used.

#### **STOP Danger:**

Do not plug the charger into the machine while it is under tension (charger switched on).

*The user may be injured by electric shock.*

#### **⚠ Warning:**

Charging cables transfer high currents. Do not use the charger if there are any signs of damage to the plug, cable, or device connection.

- Connect the external battery charger with the battery charging plug of the machine.

#### **i Notice:**

Make sure that the plug is inserted up to the stop in order to ensure a good electrical contact.

#### **i Notice:**

Check whether the plugged-in charger has started the charging process.

**i Notice:**

All machine functions are deactivated during charging.

**Charging procedure with (optional) on-board charger**

**⚠ Caution:**

The machine must be switched off (main switch) and the battery disconnection plug must be disconnected.

- Take the power cord and connect it with a socket (with slow fuse).

**After charging**

**⚠ Warning:**

Switch off the charger before disconnecting it from the batteries.

Disconnecting the charger while it is still switched on may cause an explosion in the battery compartment.

- Stow away the power cord for (optional) on-board chargers in the provided compartment.
- Store the charging cable in a dry place where it is protected against damage.

**Maintenance and care of open (wet-cell) batteries**

**i Notice:**

Caring for maintenance-free batteries only entails following proper charging procedures and configuring the charging curve correctly.

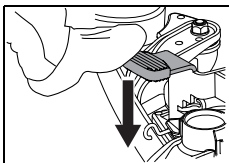
**Open battery compartment for maintenance**

- The machine must be switched off.

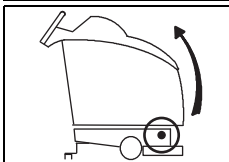
**⚠ Warning:**

Before opening the battery compartment make sure that both tank areas are empty.

- Disconnect the battery from the machine at the battery disconnection socket.

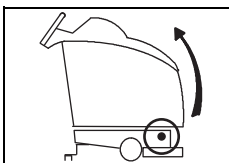


- Lower the suction nozzle.

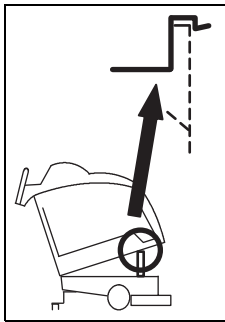


- At the bottom left and right on the front side of the machine you will find the battery compartment release.
- Unscrew both screws and remove them.

Variant: Machine with wet battery set



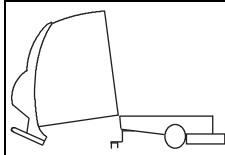
- At the bottom left on the front side of the machine you will find the battery compartment release.
- Press the release (e.g. with a screwdriver) into the intended opening and lift the tank until it locks.



- Tank position before change of position.



- Stand behind the machine.
- Carefully open the battery compartment until the driving handle is on the ground.



- Carefully open the battery compartment until the driving handle is on the ground.

**⚠ Warning:**

After maintenance, carefully tilt the tank back to its initial position and lock it.

**i Notice:**

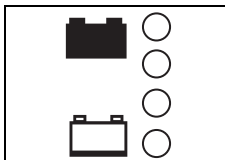
Lift the suction nozzle again

**i Notice:**

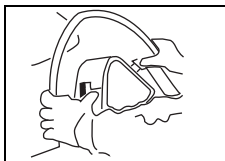
Connect the battery with the machine at the battery disconnection socket.

**Prior to commissioning**

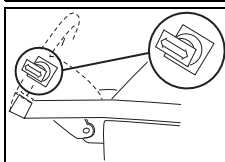
**Relocation drive**



- Switch on the machine (key switch).  
*The display lights up briefly.*  
*The battery level indicator notifies you that the machine is ready for operation. (In case of malfunctions, please see page 14).*



- Take the driving handle and arrange the height of the driving switches in such a way that you can work easily with them.



- By gently pushing the driving switch into the direction of movement, the machine is set into motion. If you let go of the driving switch, the machine will stop.

## Brush installation

Before inserting, please check:

- that the brush does not fall below the red marking (bristles) or 1cm of bristle length.
- the pad for wear and cleanliness before use.

### ⚠ Caution:

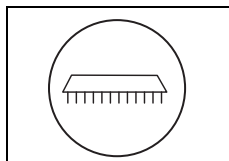
**Do not use brushes which have reached their wear limit. The wear limit is indicated by the length of the red bristle. Do not use worn or contaminated pads. Use original TASKI brushes only.**

*Failure to observe these instructions may result in inadequate cleaning results or even floor damage.*

- Position the tools under the tool unit.
- Switch the machine on.

*The indicator elements lights up briefly.*

### Variant: Automatic brush lowering (Option 1255B)

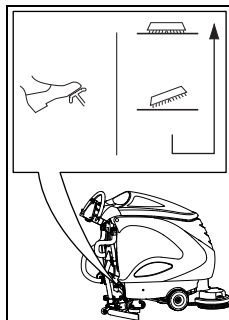


- Press the Brush drive button ON/OFF.

*While lowering the brush drive will slowly start to pulse. In this way the tool is centered and engaged.*

*The display lights up.*

### Variant: Foot pedal



- Unlock the foot pedal and lower the tool slowly.

*While lowering the brush drive will slowly start to pulse. In this way the tool is centered and engaged.*

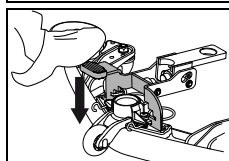
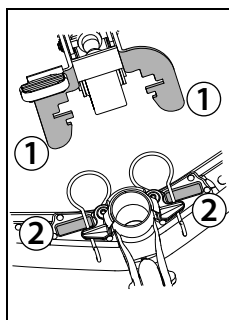
*The brush drive display lights up*

### **i** Notice:

**When the brush is down, gently moving the machine back and forth can make the clutch easier to engage.**

## Suction nozzle assembly

- The machine must be switched off (main switch).
- Position the suction nozzle (2) below the squeegee holder (1).



- Press the foot pedal down until the squeegee holder engages.
- Attach the suction hose to the connector.

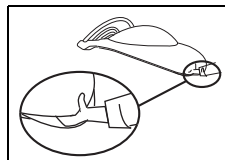
## Filling the fresh water tank

### ⚠ Caution:

**Max. permissible water temperature 60 °C/140 °F.**

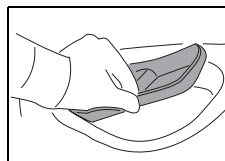
- Diversey recommends using cold water, as hot water will adjust to the ground temperature as soon as it comes into contact with the ground. Thus there are no advantages to using hot water.

- The machine must be switched off (main switch).



- Put your hand into the opening between tank cover and tank. *Palms upwards.*

- Open the tank cover until the support engages in the tank wall.



- Remove the dosage aid.

- Fill the fresh water tank with water.

*Maximum filling level (page 4).*

- Tip the tank cover back into its original position and press it down until it locks.

## Dosing:

### ⚠ Warning:

**Wear gloves, goggles and appropriate (protective) working clothes when handling chemical products!**

### **STOP** Danger:

**Use chemical products recommended by Diversey only and always observe the product information.**

*Using unsuitable products (e.g. products containing chlorine, acids or solvents) may cause harm to health and severe damage to the machine.*

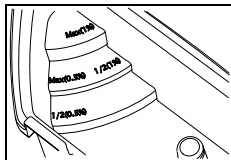
### **i** Notice:

**For a precise dosing, use the scale in the dosing cup.**

- The filling level mark on the tank corresponds to the mark in the dosing cup. The type of machine is also noted in the dosing cup!

Information on the package of the product	Tank capacity	Dosing cup
0.5%	1/2	1 x 1/2
	MAX	1 x MAX
1%	1/2	1 x MAX (2 x 1/2)
	MAX	2 x MAX

### Dosage cup application



- Fill the product you have measured with the dosage cup into the fresh water tank.

- Slightly lift the tank cover.
- Push the tank cover support slightly inwards.
- Close the tank cover.
- By pushing gently on the front part of the tank cover you lock the tank.

### **i** Notice:

**TASKI offers an automatic dosing feature as an option. It is possible to mount it additionally.**

- Please contact your customer service.

### Pre-cleaning

#### **⚠ Warning:**

**Remove any objects (wooden, metal parts etc.) from the cleaning surface.**

*The objects could be catapulted by the rotating tool, and thereby cause injuries to people and damage to the environment.*

### Beginning work with the machine

#### **⚠ Warning:**

**Always wear slip-resistant shoes and appropriate working clothes when working with this machine!**

### **i** Notice:

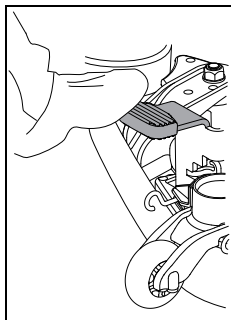
**To ensure safe operation, always keep both hands on the steering wheel/driving handle while operating the machine.**

#### **⚠ Warning:**

**When driving the machine for the first time, test it out in an empty space to get familiar with the machine.**

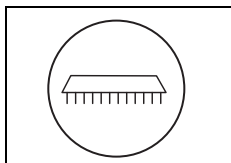
#### **⚠ Warning:**

**If there is a danger of falling objects during use of the machine, the necessary safety precautions must be taken or adhered to in accordance with national regulations.**



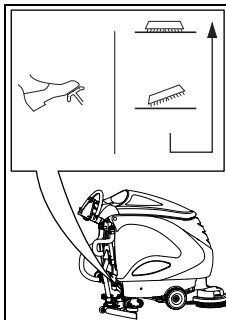
- Lower the suction nozzle.

Variant: Automatic brush lowering (Option 1255B)



- Press the Brush drive button ON/OFF.

Variant: Foot pedal

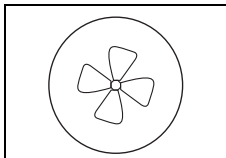


- Unlock the foot pedal and lower the tool slowly.

### Cleaning start

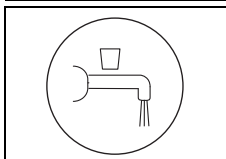
- Switch the machine on.

*The indicator elements lights up briefly.*



- Press the suction unit ON/OFF button.

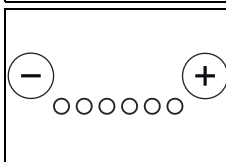
*The display lights up; the suction engine starts.*



- Press the Cleaning solution supply ON/OFF button.

*The display lights up.*

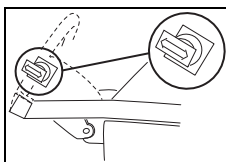
*The cleaning solution supply is started when the brushes rotate.*



- Select the desired dosing by pressing the +/- buttons from level 1-6.

### **i** Notice:

**Diversey recommends sustainable working by determination of the correct product dosing quantity. Overdosing or underdosing will lead to unsatisfactory cleaning results.**



- By gently pushing the driving switch into the direction of movement the machine is set into motion.

### Power off function

#### **i** Notice:

**The machine turns itself off after 5 minutes when no longer in use.**

During these 5 minutes:

- the brushes may not be manipulated in any way.
- the user must not leave the machine out of sight.
- sucked in or jammed objects may be cleaned from the suction nozzle only.
- the user is only allowed to leave the machine in order to clear the work space. The user must maintain visual contact.



## Battery capacity - end of operational readiness

The battery level indicator provides information on the available operating time.

- If the red indicator begins to flash, approx. 2 minutes of working time are left.
- At machines with automatic brush lowering unit, the brush motor is switched off and the brush unit is automatically raised.

At machines with foot pedal, the brush motor is switched off and the brush unit remains on the ground.

- The red display switches to a continuous light.
- Now you have 10 minutes to drive the machine to the charging station. Then the machine is automatically switched off.
- In order to restart, the batteries must be fully charged.

## Cleaning method

### Direct working method:

Scrubbing and suction in one work step.

### Indirect working method:

Applying the cleaning solution, scrubbing and suction in several work steps.

### Notice:

**In some circumstances, certain combinations of flooring/soiling and cleaning products may impair the guiding of the machine.**

- Optionally available wheels can improve the machine's traction on the floor. Please contact your TASKI customer consultant.

## Replenishing cleaning solvent

### Warning:

**The flooring may be damaged when working without cleaning solution.**

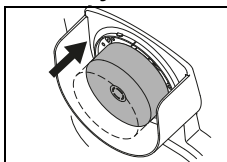
### Caution:

**A rattling sound of the pump indicates that the fresh water tank is empty.**

- The pump must never run dry for an extended period.
  - The machine must be switched off.
  - Open the tank lid.
  - Fill the fresh water tank with water, see page 8.
  - Add the cleaning product using the dosing cup.
  - Close the tank cover.

## Draining dirty water

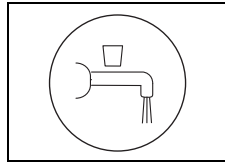
### Recovery tank full:



- If the recovery tank is full, the floater will be sucked onto the suction filter. *This will be indicated by a change of the noise by increasing the suction speed as well as residual water at the bottom.*

- Drain the recovery tank, see page 11.

## End of operation



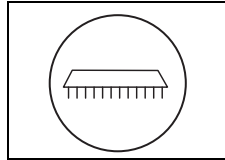
- Press the Brush drive ON/OFF button.

*The cleaning solution supply is stopped.*

- Drive on for a few meters so that the brushes keep on rotating for a short time to avoid dripping.

*Very important for TASKI contact pads!*

### Variant: Automatic brush lowering (Option 1255B)

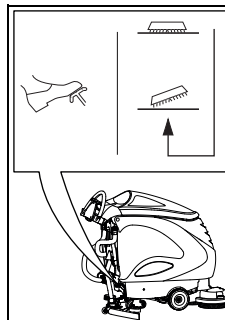


- Press the Brush drive button ON/OFF.

*The display lights up and the brush unit is stopped and lifted.*

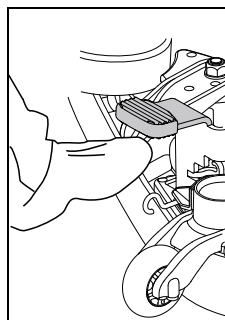
- Drive on for a few meters in order to absorb the remaining drain water.

### Variant: Foot pedal



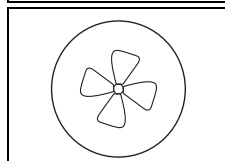
- To lift the tool, push the foot pedal downwards until it engages.

- Drive on for a few meters in order to absorb the remaining drain water.



- Lift the suction nozzle.

*Allow the suction unit to run on so that the remaining waste water in the hose is sucked up.*



- Press the Suction unit ON/OFF button.

*The display lights up; the suction engine stops.*

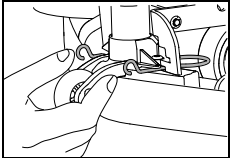
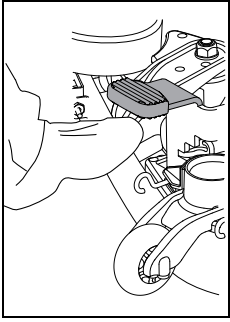
- Switch off the machine.

### Caution:

**The machine must now be emptied and cleaned. Switch off the machine (main switch) and disconnect the battery disconnection socket before beginning with the following steps.**

## Removing and cleaning the suction nozzle

- Pull the suction hose from the connector.
- Lift the suction nozzle with your foot.



- Compress the lock springs. The suction nozzle is released and can be removed from the squeegee holder.

- Clean the suction nozzle under running water using a brush.

### **i** Notice:

Only cleaned and intact blades ensure optimal suction results!

## Empty and clean the recovery tank and fresh water tank

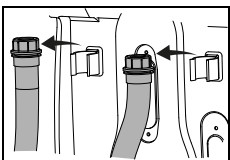
### **i** Notice:

Drain water or cleaning solution must be disposed of in compliance with the national regulations.

### **i** Notice:

When draining the recovery tank, the regulations of the detergent supplier regarding personal protective equipment of the cleaning solution manufacturer must be observed.

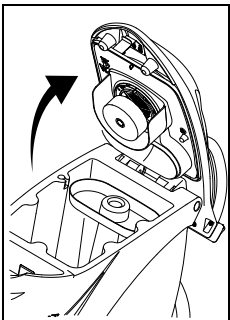
Proceed as follows:



- Take the drain hose out of the holder.

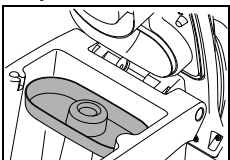
- Open the red or blue cover at the level of the handle, lower the end of the hose slowly and empty the recovery or fresh water tank.

## Cleaning the recovery tank and fresh water tank

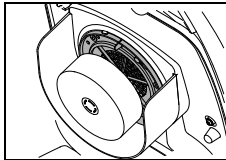


- Open the tank cover until the support engages in the tank wall.

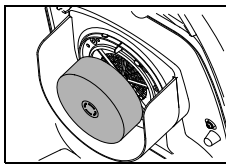
- Rinse the recovery tank and the fresh water tank thoroughly with clean water.



- Remove the dirt sieve (yellow), empty it and thoroughly rinse it under running water.



- Take out the suction filter (yellow) and remove the dirt with a cloth or a soft brush.



- Check the float to make sure it is fully functional and repair any fault

- After you have finished emptying the tanks, screw the red and blue cover back on and hang the hose on the holder.

### **⚠** Caution:

**Clogged suction filters may impair the suction performance.**

- Reassemble the dirt sieve (yellow) and the suction filter.
- Put the drain hoses back into the holder.

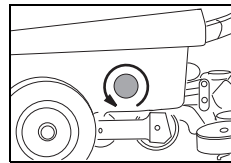
## Cleaning the fresh water tank filter

### **⚠** Caution:

**Clean the fresh water tank filter after the end of operation.**

*Clogged filters can inhibit the supply of detergents and thus lead to surface damage.*

- The machine must be switched off.



- Unscrew the fresh water tank filter and remove it.
- Rinse the filter thoroughly with clean water.

### **i** Notice:

**The filter is lower than the drain hole of the tank. A rest amount of cleaning solution will run out only when the filter is removed.**

- Put the filter back and twist it closed.

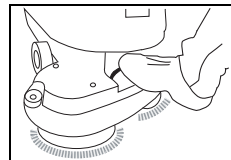
## Removing and cleaning the brush

### **i** Notice:

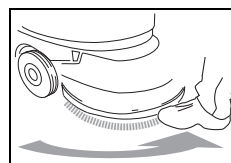
**Clean the brush whenever cleaning work is completed.**

- The machine must be switched off.

### Variant: 955B / 1255B



- Push the tool ejector briefly but firmly with your foot.



- Rotate the tool counterclockwise away from the tool connection using your foot.

- Remove the brushes and clean them under running water.

## Cleaning the machine

### ⚠ Caution:

Never clean the machine with a high-pressure cleaner or water jet.

Water ingress in the machine may cause considerable damage to the mechanical or electrical parts.

- Wipe the machine with a moist cloth.

## Storing / parking the machine (not in operation)

### ⚠ Caution:

The machine must be switched off (main switch) and the battery disconnection plug must be disconnected.

### i Notice:

Store the machine with a lifted suction nozzle, lifted brush and open tank lid.

Thus, the tank can dry, and the generation of mold and unpleasant odors is prevented.

### ⚠ Caution:

Never store the machine with uncharged batteries. Otherwise, the batteries will be damaged beyond repair.

## Service, maintenance and care

The maintenance of the machine is a prerequisite for impeccable operation and a long service life.

### ⚠ Caution:

Use original TASKI parts only; otherwise any warranty and liability claims will be invalidated.

### i Notice:

In order to rule out unintended machine functions, the following must always be carried out before starting maintenance works

- the machine must be switched off,
- the key can be removed.

Legend:

- ◇ = after every cleaning, ◇◇ = every week, ◇◇◇ = every month, ⊗ = service light

Activity	◇	◇◇	◇◇◇	⊗	Page
Charge batteries	•				6
Replenishing distilled water (wet-cell batteries). Observe the service sheet of the battery supplier!		•			7
Draining and cleaning the recovery and fresh water tanks	•				11
Clean all parts marked in yellow	•				
Clean the brushes	•				11
Clean the suction nozzle, check the blades for wear and change them if necessary	•				11
Wipe the machine using a damp cloth	•				12

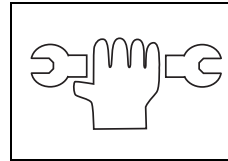
Legend:

- ◇ = after every cleaning, ◇◇ = every week, ◇◇◇ = every month, ⊗ = service light

Activity	◇	◇◇	◇◇◇	⊗	Page
Clean the gasket of the tank cover, check for cracks and replace it if necessary	•				
Maintenance and service program carried out by Diversey service technicians				•	

## Service intervals

TASKI machines are high-quality machines that have been inspected for safety at the factory by authorized inspectors. Electrical and mechanical parts are subject to wear and aging after a longer period of use.



- In order to maintain operational safety and readiness for use, the machine must be serviced whenever the maintenance indicator lights up (factory setting is 450 working hours) or at least once a year.

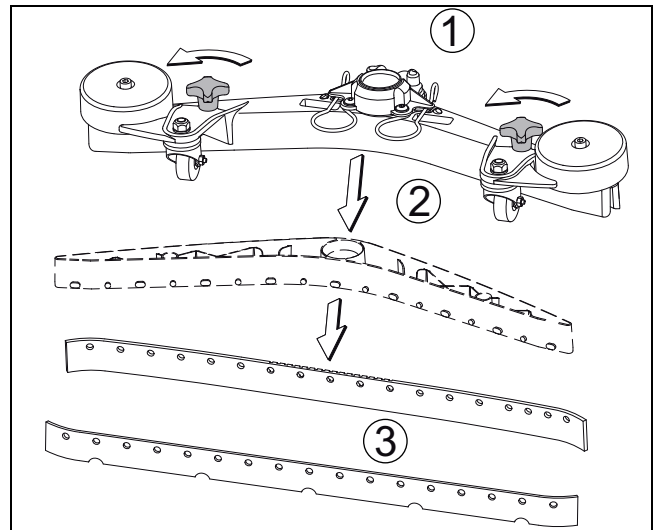
### i Notice:

In case of extraordinary use and/or insufficient maintenance, shorter intervals may be required.

## Service center

Please always indicate the type and number of the machine whenever you contact us to place an order or in case of malfunctions. You can find this information on the nameplate of your machine. The address of your closest TASKI service partner is provided on the last page of these instructions of use.

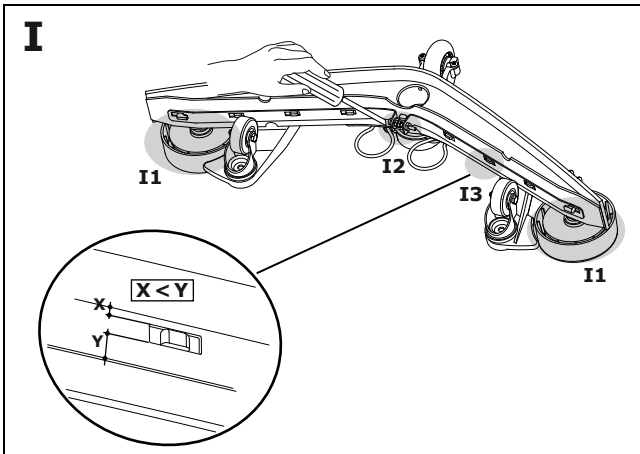
## Blade change swingo 755B/855B



- Unscrew the star knobs (1), pull the blade body (2) out of the squeegee body and remove the blades (3).
- Now you can turn the blades or replace them.
- Put the blade body (2) back in the suction nozzle body and screw the star knobs (1) back on.

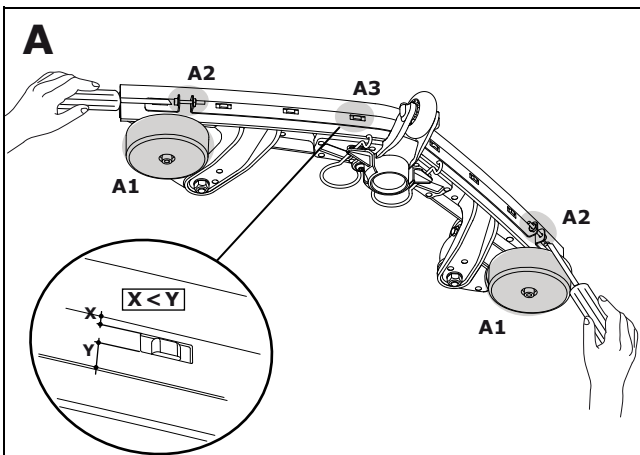
## Blade change swingo 955B/1255B

Blade in the inner radius



- Put the clean squeegee body with the rolls downward on a solid surface (table, ground, etc.). (Detail I1)
- Loosen the screw (do not remove it completely) in the middle of the 2 parts of the tightening strap until the tightening strap can be removed. (Detail I2)
- Clean squeegee body, blades and tightening strap under running water with a brush.
- Mount the "turned" or new blade onto the squeegee body.
- Put the tightening strap in the right position on the blade (Detail I3).
- Tension the tightening strap. (Detail I2)

Blade on the outer radius



- Put the clean squeegee body with the rolls downward on a solid surface (table, ground, etc.). (Detail A1)
- Loosen the screws (do not remove them completely) on the left and right side of the 3-part tightening strap until the tightening strap can be removed. (Detail A2)
- Clean squeegee body, blades and tightening strap under running water with a brush.
- Mount the "turned" or new blade onto the squeegee body.
- Put the tightening strap in the right position on the blade (Detail A3).
- Tension the tightening strap. (Detail A2)

## Malfunctions

Malfunction	Possible causes	Troubleshooting	Page
Machine not functional, cannot be turned on	Machine is switched off	<ul style="list-style-type: none"> <li>Turn the key</li> </ul>	4
	Battery disconnection socket not connected	<ul style="list-style-type: none"> <li>Connect the battery disconnection socket with the machine</li> </ul>	4
	Main fuse is defective	<ul style="list-style-type: none"> <li>Check/replace fuse</li> <li>Contact your service partner</li> </ul>	
	Immobilizer activated or fault in the controls	<ul style="list-style-type: none"> <li>Stand on the running board</li> </ul>	
	Battery discharged or defective, Battery charger defective	<ul style="list-style-type: none"> <li>Charge batteries</li> <li>Contact your service partner</li> </ul>	7
	Batteries defective	<ul style="list-style-type: none"> <li>Contact your service partner</li> </ul>	
Brush unit or suction unit cannot be turned off	Error in the electronic system or in the control panel	<ul style="list-style-type: none"> <li>Stop the machine using emergency stop</li> <li>Contact your service partner</li> </ul>	3
Brush does not rotate	Brush drive switched off	<ul style="list-style-type: none"> <li>Press Brush button</li> </ul>	4
	Main fuse is defective	<ul style="list-style-type: none"> <li>Replace fuse</li> </ul>	
	Motor rotates, brush does not	<ul style="list-style-type: none"> <li>Drive belt broken</li> <li>Contact your service partner</li> </ul>	
Poor suction performance Ground remains wet Soiled water is not vacuumed up	Suction not switched on	<ul style="list-style-type: none"> <li>Press suction unit button</li> </ul>	4
	Suction hose not connected	<ul style="list-style-type: none"> <li>Connect suction hose</li> </ul>	8
	Suction nozzle on the floor	<ul style="list-style-type: none"> <li>Check suction nozzle suspension for functionality</li> </ul>	8
	Blades worn out	<ul style="list-style-type: none"> <li>Replace blades</li> </ul>	12
	Hose or suction nozzle clogged (e.g. pieces of wood, remnants)	<ul style="list-style-type: none"> <li>Remove any foreign matter</li> </ul>	
	Suction filter clogged	<ul style="list-style-type: none"> <li>Remove any foreign matter</li> </ul>	4
	Suction unit indicator lights up but vacuum cleaner is not running	<ul style="list-style-type: none"> <li>Check fuse and replace it, if necessary</li> <li>Fuse is OK, contact your service partner</li> </ul>	8
Suction unit switches off	Recovery tank full	<ul style="list-style-type: none"> <li>Drain recovery tank</li> <li>Check battery monitoring</li> <li>Check fuse</li> </ul>	10
	Recovery tank contaminated	<ul style="list-style-type: none"> <li>Check recovery tank and clean it, if necessary</li> </ul>	11
Insufficient cleaning solution supply	Cleaning solution tank empty	<ul style="list-style-type: none"> <li>Check cleaning solution tank</li> </ul>	10
	Cleaning solution volume set too low	<ul style="list-style-type: none"> <li>Adjust cleaning solution volume with +/- buttons</li> </ul>	4
	Cleaning solution button switched off	<ul style="list-style-type: none"> <li>Press cleaning solution button</li> </ul>	4

## Technical information

Machine	755B	855B	955B	1255B	
Working width	43	50	55		cm
Suction nozzle width	69		80		cm
Dimensions (L x W x H)	116x48x120	122x53x120	118x58x117	142x58x117	cm
Maximum weight of operational machine	160		179	260	kg
Rated voltage	24V				DC
Rated power, nominal	900		1000		W
Fresh water tank, nominal +/- 5%	40			60	l

Values according to IEC 60335-2-72	755B	855B	955B	1255B	
Weight with batteries Gel (transport)	120		139	200	kg
Weight with batteries Lithium 50Ah (transport)	106		125	--	kg
Weight with batteries Lithium 100Ah (transport)	99		118	169	kg
Sound pressure level LpA	68	68	64	61	dB(A)
Uncertainty KpA	2.5				dB(A)
Total vibration	<2.5				m/s <sup>2</sup>
Uncertainty K	0.25				m/s <sup>2</sup>
Splash water guard	IPX3				
Protection class	III				

## Accessories

No.	Item	755B	855B	955B	1255B
7510829	Pad drive harpoon grip 43 cm	1x			
8504750	Scrubbing brush, nylon, 43 cm	1x			
8504780	Scrubbing brush, abrasive, 43 cm	1x			
8504800	Scrubbing brush, washed concrete, 43 cm	1x			
7510830	Pad drive harpoon grip 50 cm		1x		
8504770	Scrubbing brush, nylon, 50 cm		1x		
8505130	Scrubbing brush, nylon, abrasive, 50 cm		1x		
8505120	Scrubbing brush, washed concrete, 50 cm		1x		
7510634	Pad drive harpoon grip 28 cm			2x	2X
7519395	Scrubbing brush 28 cm			2x	2X
7510632	Scrubbing brush, washed concrete, 28 cm			2x	2X
7510633	Scrubbing brush, abrasive, 28 cm			2x	2X
8502830	Filling hose with universal water coupling	x	x	x	x
7517125	IntelliDose kit	x	x	x	x
	IntelliTrail	x	x	x	x
	Wet battery set	x	x	x	x
	Various pads, (polyester brown, blue, red and contact pad)	x	x	x	x



## Transport

### **Warning:**

This machine may only be lifted using lifting gear (e.g. hoist, loading ramp, etc.).

### **Caution:**

The battery disconnection socket must be disconnected for transport.

### **Notice:**

Transport the machine in an upright position.

### **Notice:**

Make sure that the machine is securely tied down in the transport vehicle.

## Disposal

### **Notice:**

After decommissioning, the machine and accessory parts must be adequately disposed of in compliance with the national regulations.

- Please contact your Diversey service partner for help.

## Batteries

### **Warning:**

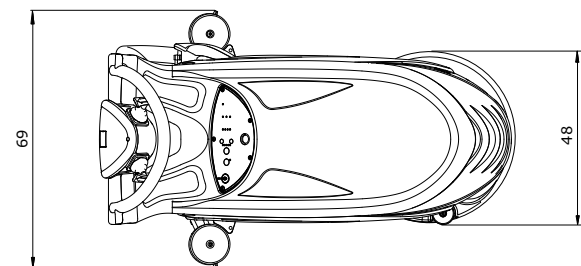
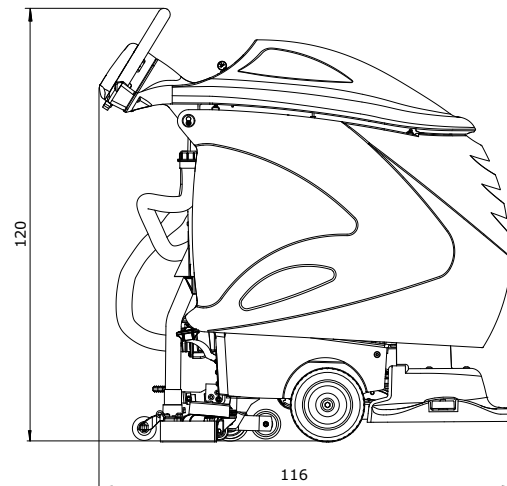
Remove all batteries from the machine prior to proper disposal.

Used batteries must be disposed of in an environmentally friendly way in compliance with the EC directive 2006/66/EC or the respective national regulations.

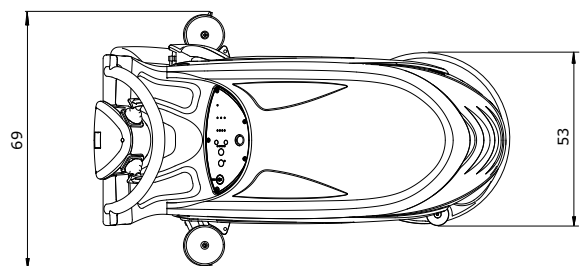
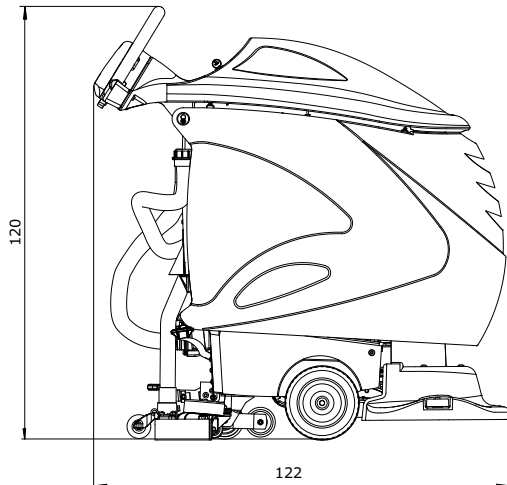
## Machine Dimensions

The dimensions are in centimeters!

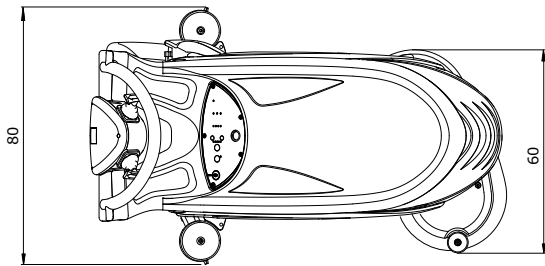
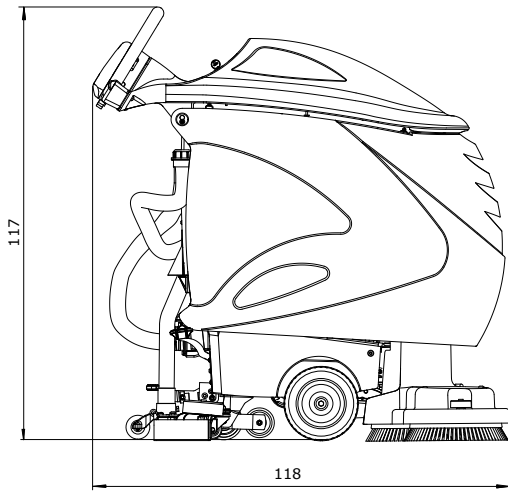
### swingo 755B



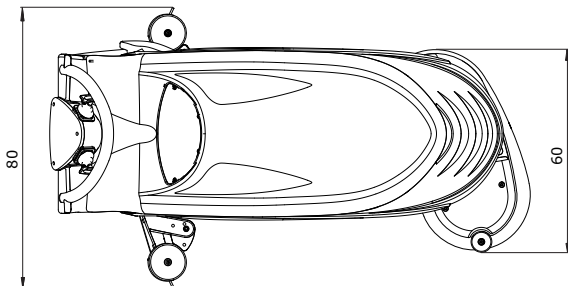
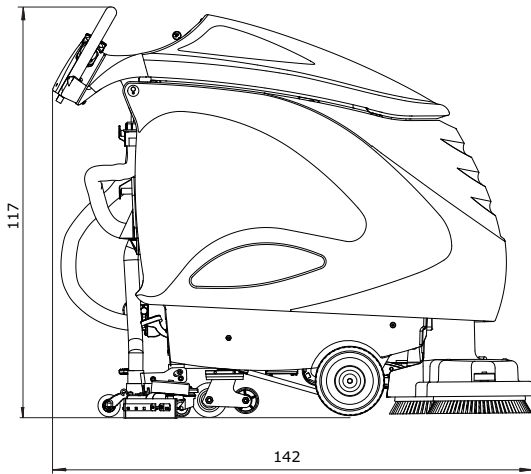
### swingo 855B



**swingo 955B**



**swingo 1255B**



## ES Traducción de las instrucciones originales de uso



Antes de la primera puesta en funcionamiento es importante que lea estas instrucciones de uso y las instrucciones de seguridad. Conserve las instrucciones de uso cuidadosamente y en un sitio accesible para poder consultarlas en cualquier momento.

### Explicación de los símbolos

#### **STOP PELIGRO:**

Este símbolo indica información importante. El incumplimiento de estas indicaciones puede producir peligros para las personas y/o grandes daños.

#### **ADVERTENCIA:**

Este símbolo indica información importante. El incumplimiento de estas indicaciones puede producir peligros para las personas y/o grandes daños.

#### **ATENCIÓN:**

Este símbolo indica información importante. El incumplimiento de estas indicaciones puede ocasionar averías o daños.

#### **i INDICACIÓN**

Este símbolo indica información importante relacionada con el uso eficiente del producto. El incumplimiento de estas indicaciones puede ocasionar averías.

### Índice

Instrucciones de seguridad . . . . .	18
Productos de limpieza . . . . .	19
Otros documentos . . . . .	19
Protección del medioambiente . . . . .	19
Vista general de la estructura . . . . .	20
Baterías . . . . .	21
Antes de la puesta en marcha . . . . .	24
Comienzo del trabajo . . . . .	25
Fin de trabajo . . . . .	26
Servicio, mantenimiento y cuidado . . . . .	28
Averías . . . . .	30
Datos técnicos . . . . .	31
Accesorio . . . . .	31
Transporte . . . . .	32
Eliminación . . . . .	32
Dimensiones de la máquina . . . . .	32

### Uso adecuado de la maquinaria

Las máquinas están diseñadas para el uso industrial (por ejemplo: en hoteles, colegios, hospitales, fábricas, centros comerciales, oficinas, etc.).

Siguiendo rigurosamente estas instrucciones de uso, la máquina se utiliza para la limpieza en mojado de los revestimientos de suelos. Estas máquinas están diseñadas exclusivamente para el uso en zonas interiores.

#### **ATENCIÓN:**

La máquina no debe usarse para el pulido, el engrasado, el encerado, la limpieza de alfombras y la aspiración de polvo. La limpieza en mojado de suelos de parqué y laminado con esta máquina se realiza bajo su propio riesgo.

#### **STOP PELIGRO:**

Los cambios a la máquina no autorizados por parte de Diversey llevan a la invalidación de los símbolos de seguridad y la Conformidad CE. Un uso de la máquina en contra del uso adecuado de la maquinaria puede producir daños a personas, a la máquina y al entorno laboral. Dichos casos conllevan siempre la pérdida de cualquier derecho de garantía.

### Instrucciones de seguridad

Las máquinas TASKI cumplen por su diseño y estructura los requisitos de salud y seguridad básicos de la directiva CE y llevan por eso el símbolo CE.

#### **STOP PELIGRO:**

La máquina debe usarse solo por personas que han sido instruidas de forma adecuada sobre su uso o que han demostrado sus conocimientos con respecto al uso y se les haya encargado dicho uso explícitamente.

#### **STOP PELIGRO:**

La máquina no debe ser utilizada por niños ni por personas con capacidades físicas, sensoriales o mentales reducidas, o que carezcan de experiencia y conocimiento.

*Los niños deben estar supervisados para asegurarse de que no juegan con la máquina.*

#### **STOP PELIGRO:**

La máquina no debe usarse en espacios donde se almacenan o trabajan materiales con peligro de explosión o fácilmente inflamables (por ejemplo: gasolina, disolventes, fuelóleo, polvos, etc.).

*Los componentes eléctricos o mecánicos podrían causar la combustión de este material.*

#### **STOP PELIGRO:**

La máquina no debe ser utilizada para absorber materiales tóxicos, dañinos para la salud, corrosivos e irritantes (p. ej., polvo peligroso, etc.), o líquidos inflamables. Este sistema de filtrado no retiene suficientemente los materiales de este tipo.

*Podría perjudicar la salud del usuario y de terceros.*

#### **STOP PELIGRO:**

Durante el funcionamiento, preste atención a su alrededor, como por ejemplo terceras personas y niños. Se debe moderar la velocidad especialmente cerca de lugares con poca visibilidad, como por ejemplo puertas o curvas.

#### **STOP PELIGRO:**

Con esta máquina no deben transportarse otras personas u objetos.

#### **STOP PELIGRO:**

Si apareciera un fallo en el funcionamiento, un defecto así como tras una colisión o una caída, la máquina deberá ser inspeccionada por un profesional autorizado antes de volver a utilizarla. Lo anterior se aplica también cuando la máquina se deja en el exterior, se sumerge en el agua o se expone a la humedad.

### **STOP PELIGRO:**

En caso de daños en piezas relevantes para la seguridad como la cubierta del cepillo, el cable principal o las cubiertas que dan acceso a piezas conductoras, se debe interrumpir inmediatamente el funcionamiento de la máquina.

### **STOP PELIGRO:**

La máquina no debe ajustarse, estacionarse o almacenarse en lugares inclinados.

### **STOP PELIGRO:**

La máquina debe estar desconectada y con la llave extraída durante todos los trabajos en ella.

### **STOP PELIGRO:**

La máquina puede usarse en lugares con una inclinación de <2%. Las pendientes deben transitarse en una marcha lenta y con el empleo del "modo toruga" para poder asegurar una parada segura.

El cambio agudo en una pendiente puede perjudicar la estabilidad de la máquina, por lo que está prohibido. Existe peligro de accidente.

### **STOP PELIGRO:**

La máquina solo debe utilizarse en suelos fuertes, estables y suficientemente firmes.

*El incumplimiento da lugar a peligro de accidentes.*

### **ADVERTENCIA:**

La máquina solo debe operarse y almacenarse en un entorno seco y sin polvo a temperaturas de +10 °C/+ 50 °F a + 35 °C/+ 95 °F.

### **ADVERTENCIA:**

Los trabajos de reparación en piezas mecánicas o eléctricas de la máquina deben realizarse solamente por especialistas autorizados, que conozcan todas las normas de seguridad relevantes.

### **ADVERTENCIA:**

Se deben usar exclusivamente herramientas (cepillos, almohadillas o similar), que hayan sido fijadas dentro de los accesorios de estas instrucciones de uso o que hayan sido recomendadas por un asesor de TASKI. Otras herramientas pueden afectar negativamente a la seguridad y las funciones de la máquina.

### **ADVERTENCIA:**

Las normativas nacionales para la protección personal y para la prevención de accidentes, como también las indicaciones del fabricante para el uso de materiales de limpieza, deben ser cumplidas de manera consecuente.

### **ATENCIÓN:**

¡Desconecte inmediatamente la unidad de aspiración si salieran espuma o líquidos de la máquina!

### **ATENCIÓN:**

La máquina debe operarse solo con las baterías adecuadas y cargadores certificados.

### **ATENCIÓN:**

La máquina debe protegerse de usos no autorizados. Saque las llaves antes de alejarse de la máquina o guárdelas en una habitación cerrada.

### **INDICACIÓN**

Las máquinas y los dispositivos TASKI están diseñados de manera que, según el estado de la tecnología hoy en día, se pueden excluir peligros para la salud por las emisiones de ruidos o las vibraciones. Consulte los datos técnicos en la página 31.

### **Productos de limpieza**

### **INDICACIÓN**

Las máquinas TASKI están construidas de tal forma que se consiguen obtener resultados de limpieza óptimos con los productos de limpieza TASKI.

Otros productos de limpieza pueden provocar averías y daños a las máquinas o el entorno laboral.

Por esta razón, le recomendamos que use exclusivamente productos de limpieza TASKI.

*Las averías que se produzcan por el uso de productos de limpieza incorrectos no estarán cubiertas por la garantía.*

- Para una información más detallada, contacte con el servicio técnico de TASKI.

### **Otros documentos**

### **INDICACIÓN**

El esquema eléctrico para esta máquina se encuentra en la lista de piezas de repuesto.

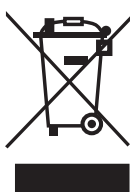
- Contacte con el servicio de atención al cliente para más información.

### **INDICACIÓN**

Estas instrucciones de uso así como todas las instrucciones de uso para máquinas TASKI están disponibles en el siguiente sitio web:

[www.taski.com](http://www.taski.com)

### **Protección del medioambiente**

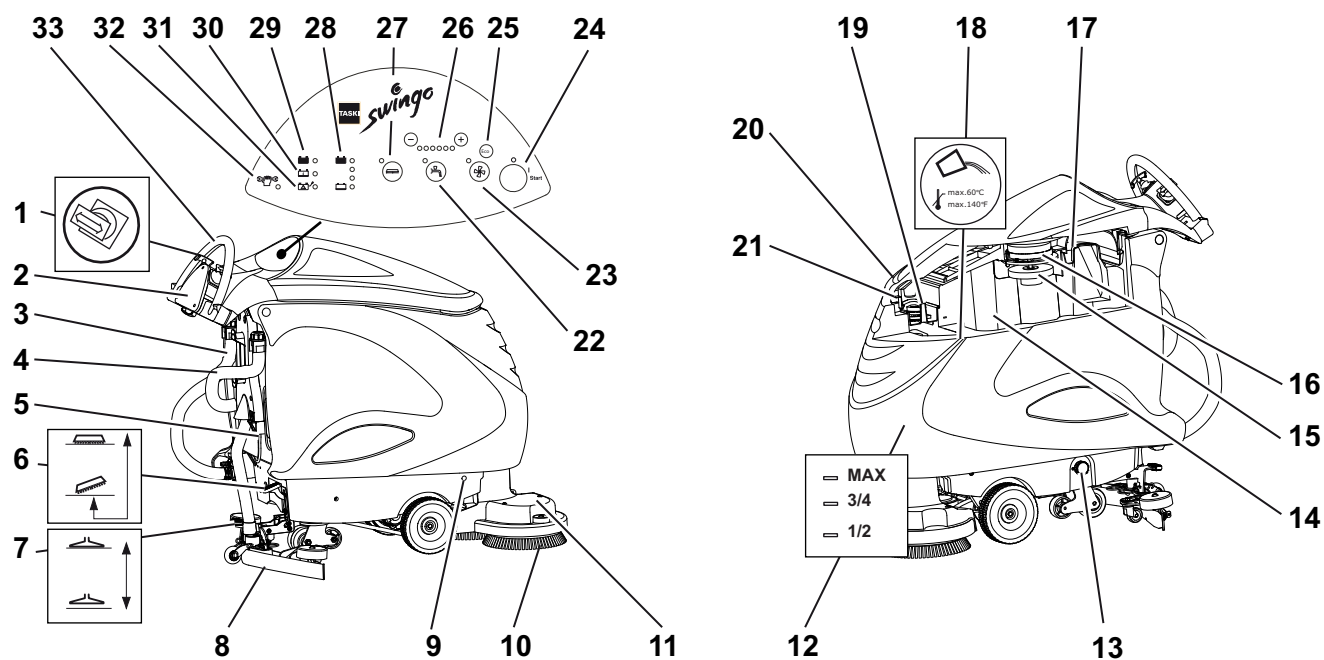


Los materiales de embalaje son reciclables. Por favor, no tire el embalaje al cubo de basura; llévelo a un lugar de reciclaje.



Los aparatos viejos contienen materiales valiosos reciclables que debieran aprovecharse. Evite el contacto de baterías, aceites y materias semejantes con el medioambiente. Deshágase de los aparatos viejos recurriendo a sistemas de recogida apropiados.

## Vista general de la estructura



- 1 Controlador
- 2 Contador de horas de servicio (opcional)
- 3 Manguera de drenaje de solución de limpieza (cubierta azul)
- 4 Manguera de drenaje de agua sucia (cubierta roja)
- 5 Enchufe de desconexión de la batería (codificación)
- 6 Variantes: Pedal de herramienta
- 7 Pedal de labios
- 8 Labios
- 9 Opcional: Cerrar del compartimento de la batería
- 10 Herramienta (cepillos, almohadillas, etc.)
- 11 Unidad de cepillos
- 12 Indicador de nivel de llenado
- 13 Filtro del tanque de agua limpia
- 14 Tanque de recuperación
- 15 Flotador (protección contra sobrellenado del tanque de recuperación)
- 16 Filtro de aspiración
- 17 Tamiz de la suciedad
- 18 Tanque de agua limpia
- 19 Ayuda para la dosificación
- 20 Tapa del tanque
- 21 Desbloqueo de la tapa del tanque
- 22 Llave de seguridad de alimentación de la solución de limpieza ENCENDIDO / APAGADO
- 23 Llave de seguridad de la unidad de aspiración ENCENDIDO / APAGADO
- 24 Llave de contacto
- 25 Llave de seguridad del modo ECO ENCENDIDO / APAGADO
- 26 Llaves de seguridad de cantidad de extracción de solución de limpieza (+ / -)
- 27 Llave de seguridad de accionamiento de herramienta ENCENDIDO / APAGADO (solo en 1255B EBU)
- 28 Indicador de nivel de carga de las baterías
- 29 Indicador de batería cargada
- 30 Indicador de batería se carga
- 31 Indicador de avería de batería / bloque de alimentación
- 32 Indicador de servicio
- 33 Timón

## Baterías

### Baterías permitidas

Para la operación de esta máquina son necesarias baterías de tracción (no baterías húmedas, de arranque o pilas) Se recomiendan baterías de tracción limpias. Solo esto garantiza una larga vida útil.

Las baterías de tracción se producen como baterías VRLA cerradas y sin necesidad de mantenimiento (Gel, AGM, PureLead, Lithium). La máquina debe ajustarse según cada tipo de construcción y de fabricante.

Cada batería ofrece una vida útil diferente y diferentes características de potencia.

La programación de la máquina y de los cargadores debe realizarse después de instalar las baterías o con el cambio del tipo de batería y/ o dependiendo del fabricante y antes de la puesta en marcha.

Un ajuste erróneo puede provocar una avería prematura de las baterías.

#### **i** INDICACIÓN

**No deben introducirse baterías diferentes, defectuosas ni mezclar baterías nuevas con viejas.**

#### **i** INDICACIÓN

**Las baterías viejas o defectuosas se deben des- echar según la normativa vigente. Consulte la infor- mación en la página 32**

### Medidas de seguridad en el manejo de baterías



Las baterías contienen ácidos. Para el mantenimiento, el montaje y el desmontaje del conjunto de baterías de ácido, se deben llevar gafas de protección.



En caso de salpicaduras de ácido en los ojos o en la piel, enjuague o lave con agua limpia. Acuda inmediatamente a un médico. Enjuague la ropa con agua.



Durante la carga de las baterías se genera una mezcla de gases peligrosa. Mantener alejado del fuego abierto o de objetos ardientes.



¡No fumar!



¡Peligro de corrosión!



¡Precaución! Los polos de las baterías están siempre bajo tensión, por eso no se pueden colocar objetos sobre la batería.

#### **⚠** ATENCIÓN:

**Mantenga las baterías limpias y secas. Limpie inmediatamente los ácidos o agua que se hayan escapado.**

- Para ello, lleve guantes de protección.

#### **⚠** ATENCIÓN:

**Las baterías deben ser montadas únicamente por servicios de atención al cliente permitidos por Di- versey y deben instalarse según el esquema de co- nexión.**

*Los errores durante el montaje o la conexión pueden provocar graves lesiones, una explosión y grandes da- ños a la máquina y al entorno.*

#### **⚠** ATENCIÓN:

**Durante la carga de la batería, se debe garantizar suficiente ventilación.**

#### **i** INDICACIÓN

**Preste también atención la hoja de datos de segui- dad del fabricante de la batería.**

#### **i** INDICACIÓN

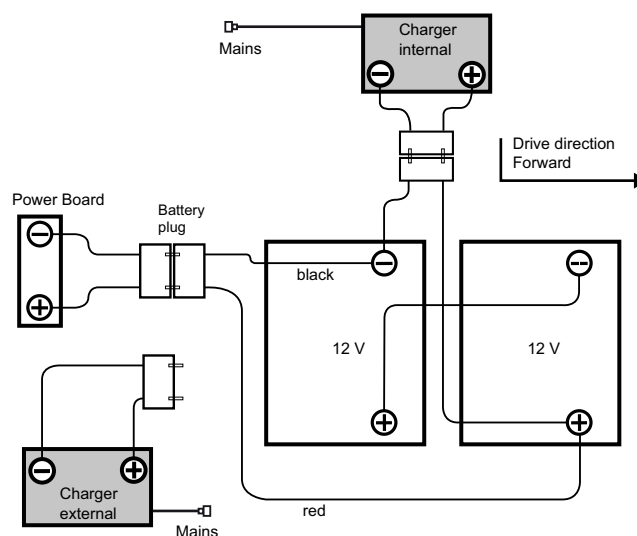
**Preste también atención a las normas operativas del fabricante de la batería.**

#### **⚠** ATENCIÓN:

**Durante el mantenimiento de las baterías, estas de- ben ser extraídas de la máquina.**

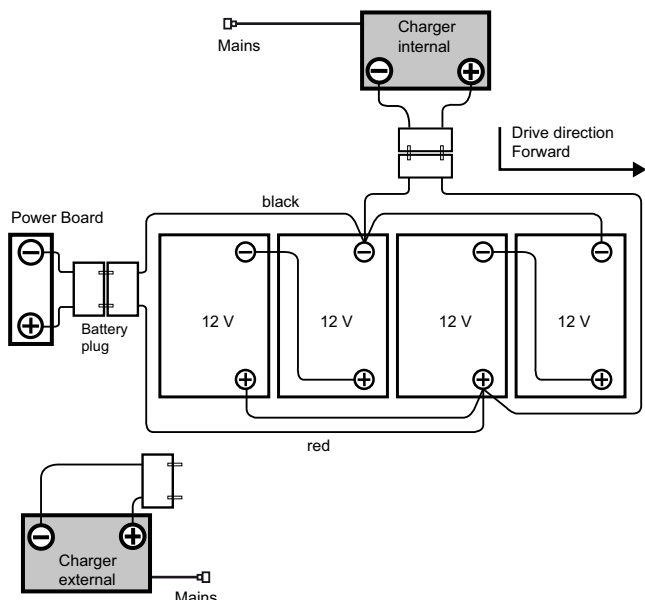
### Esquema de conexión de la batería

#### swingo 755B/855B/955B Power (Gel)

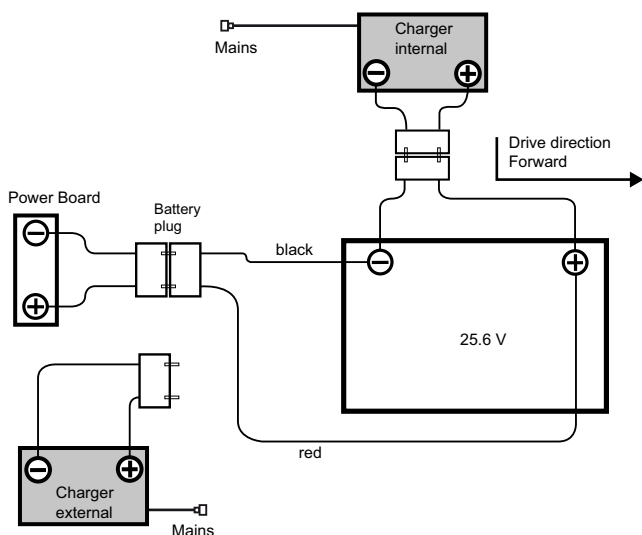




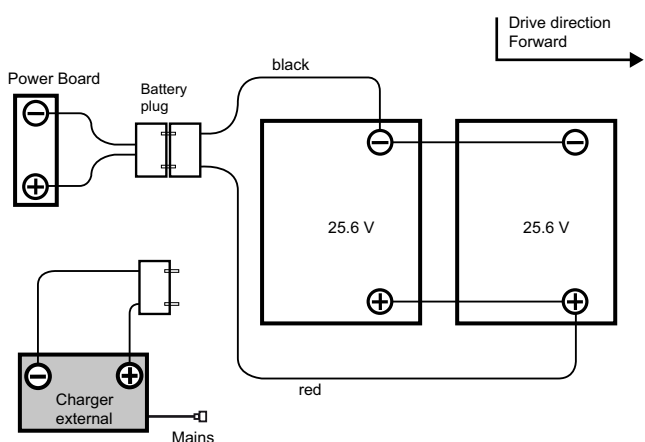
## swingo 1255B Power (Gel)



## swingo 755B/855B/955B Power (Lithium 50Ah)



## swingo 755B/855B/955B/1255B Power (Lithium 100Ah)



## En caso de emergencia

**STOP PELIGRO:**

En caso de emergencia (comportamiento anómalo de la máquina), hay que quitar el enchufe de desconexión de la batería.

## Carga

**⚠ ATENCIÓN:**

Observe las instrucciones de uso del fabricante del cargador de batería externo.

**⚠ ATENCIÓN:**

Cada tipo de batería y/o fabricante de la batería exige diferentes procesos de carga.

*Un proceso de carga incorrecto o el uso de un cargador inadecuado conlleva una avería prematura o una destrucción rápida de la batería.*

**i INDICACIÓN**

Los cargadores Onboard que se pueden adquirir de manera opcional se adaptan al tamaño de la batería y disponen de varias curvas de carga, que vienen ajustadas de fábrica o se deben ajustar por técnicos de servicio de TASKI para las baterías recomendadas. Esta norma es válida incluso para el uso de cargadores (externos) fijos.

**⚠ ATENCIÓN:**

Los usos breves y continuos con la correspondiente recarga a posteriori pueden perjudicar la batería.

- Valor orientativo: antes de una recarga se debe realizar una mínima absorción de aproximadamente el 20 % de la capacidad disponible.

**⚠ ATENCIÓN:**

Para alcanzar la máxima vida útil posible se debe iniciar un ciclo completo de carga para las baterías de tracción 2 veces a la semana (12-16 horas).

**⚠ ATENCIÓN:**

Antes de una parada larga de la máquina, las baterías deben someterse a un ciclo de carga completo. A continuación se desconecta el cargador de la máquina o de la red. Las baterías se descargan con el tiempo. En función del tipo, deberán volver a cargarse tras 3-6 meses.

- Antes de la siguiente puesta en funcionamiento, las baterías deben realizar de nuevo un ciclo de carga completo.

**⚠ ATENCIÓN:**

En caso de parada larga de la máquina, desconecte el enchufe de desconexión de la batería.

## Proceso de carga con cargador externo

### **i** INDICACIÓN

Únicamente pueden utilizarse cargadores recomendados por el fabricante de la batería y que dispongan de la certificación de SELV (tensión baja de seguridad).

### **STOP** PELIGRO:

**No conecte el cargador sometido a tensión (es decir, conectado) a la máquina.**

*En caso de hacerlo, el usuario podría sufrir lesiones debido a una descarga eléctrica.*

### **⚠** ADVERTENCIA:

Los cables de carga transfieren alta tensión. En caso de aparición de daños en el enchufe, el cable o la conexión del dispositivo, no se debe usar el cargador.

- Conecte el cargador de batería externo con el conector del cargador de la máquina.

### **i** INDICACIÓN

Preste atención a que el enchufe esté insertado hasta el final para garantizar un buen contacto eléctrico.

### **i** INDICACIÓN

Compruebe si el cargador conectado ha iniciado un proceso de carga.

### **i** INDICACIÓN

Durante un proceso de carga se deben desactivar todas las funciones de la máquina.

## Proceso de carga con cargador Onboard (opcional)

### **⚠** ATENCIÓN:

La máquina debe estar desconectada (interruptor principal) y se debe retirar el enchufe de desconexión de la batería.

- Retire el cable de red y conéctelo a un enchufe (seguro).

## Tras el cierre del proceso de carga

### **⚠** ADVERTENCIA:

Apague el cargador antes de cortar la conexión con las baterías.

*El corte del cargador encendido puede producir una explosión en el compartimento de las baterías.*

- Coloque el cable de red en cargadores Onboard (opcional) en la zona prevista.
- Mantenga el cable de carga seco y protegido contra daños.

## Mantenimiento y cuidado de baterías (húmedas) abiertas

### **i** INDICACIÓN

El cuidado de baterías sin mantenimiento se limita al correcto cumplimiento del proceso de carga correcto y la curva de carga correctamente ajustada.

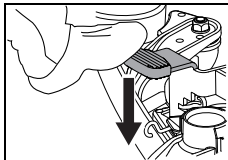
## Abrir compartimento de batería para mantenimiento

- La máquina debe estar desconectada.

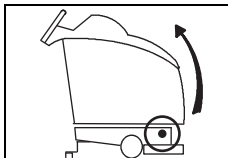
### **⚠** ADVERTENCIA:

Antes de abrir el compartimento de la batería, debe estar seguro de que las áreas del tanque estén vacías.

- Interrumpa la conexión entre la batería y la máquina en el enchufe de desconexión de la batería.

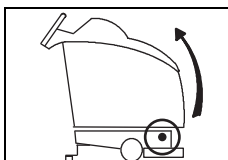


- Baje los labios.

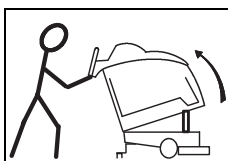
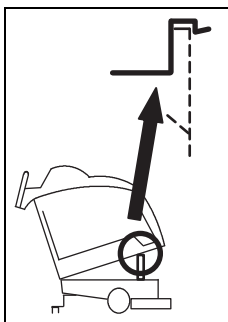


- Encuentre el desbloqueo del compartimento de la batería en el lado delantero inferior derecho e izquierdo de la máquina.
- Desenrosque ambos tornillos y sepárelos.

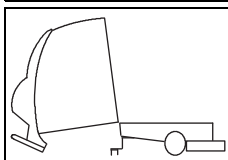
Variantes: Máquina con el conjunto de baterías de ácido



- Encuentre el desbloqueo del compartimento de la batería en el lado delantero inferior izquierdo de la máquina.
- Presione el mecanismo de desbloqueo (p. ej. con un destornillador) en la abertura designada y levante el tanque hasta que este encaje.
- Posición del depósito antes del cambio de posición.



- Colóquese detrás de la máquina.
- Abra el compartimento de la batería con cuidado hasta que el timón se abra de golpe.



- Abra el compartimento de la batería con cuidado hasta que el timón se abra de golpe.

### **⚠** ADVERTENCIA:

Cuando termine con la inspección, incline con cuidado el tanque en su posición original y ciérrelo con cerrojo.

### **i** INDICACIÓN

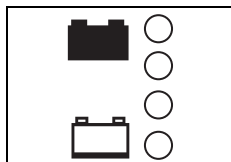
Vuelva a levantar los labios.

### **i** INDICACIÓN

Vuelva a unir la batería con el enchufe de desconexión de la batería.

## Antes de la puesta en marcha

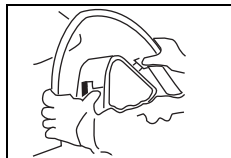
### Dirección de desplazamiento



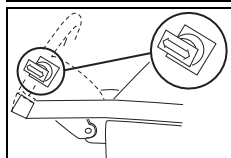
- Conecte la máquina (interruptor de llave).

*La pantalla se ilumina brevemente.*

*El indicador de la batería señala el estado de servicio de la máquina. (En caso de avería, consulte la página 30).*



- Tome el timón y colóquelo a la altura del controlador, de manera que pueda trabajar con él de forma agradable.



- Ponga la máquina en funcionamiento mediante el interruptor suave del controlador en el sentido de la marcha; deténgala soltando el controlador.

### Colocar la herramienta

Compruebe antes de poner en funcionamiento:

- que el cepillo no esté por debajo de la marca roja (cerdas) o que la longitud de las cerdas esté por debajo de 1 cm;
- el desgaste y la limpieza de la almohadilla.

#### **⚠ ATENCIÓN:**

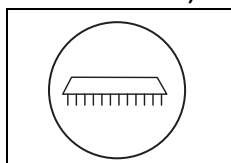
**No use cepillos donde se haya alcanzado el límite de desgaste. Esto se indica a través de la longitud de las cerdas rojas. No utilice discos que estén desgastados o sucios. Utilice solo herramientas originales de TASKI.**

*El incumplimiento puede producir resultados de limpieza insatisfactorios e incluso daños en el piso.*

- Coloque la herramienta debajo de la unidad de cepillos.
- Conecte la máquina.

*Las pantallas se iluminan brevemente.*

### Variantes: Dispositivo bajada automática del cepillo (opcional en 1255B)

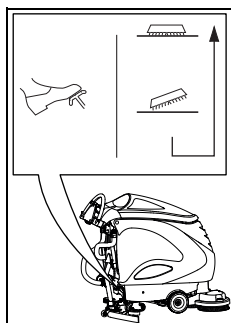


- Pulse las llaves de seguridad de accionamiento de herramienta ENCENDIDO/APAGADO.

*Durante el descenso, comience a pulsar lentamente la transmisión del cepillo. Con ello, la herramienta se centra y se embraga.*

*La pantalla se ilumina.*

### Variantes: Control de pie



- Desatranque el control de pie y descienda lentamente la herramienta.

*Durante el descenso, comience a pulsar lentamente la transmisión del cepillo. Con ello, la herramienta se centra y se embraga.*

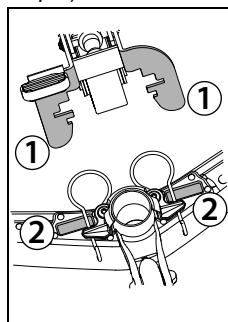
*La pantalla de funcionamiento de la herramienta se ilumina.*

#### **i INDICACIÓN**

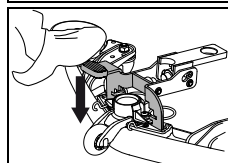
**Si el cepillo está debajo, el embrague de la máquina se alivia para que pueda moverse hacia delante y hacia atrás.**

## Monte la boquilla de aspiración

- La máquina debe estar desconectada (interruptor principal).



- Coloque los labios (2) bajo el soporte de la tobera (1).



- Presione el control de pie hacia abajo hasta que se encaje la tobera de aspiración.
- Conecte el orificio de la manguera de succión al soporte de la tobera.

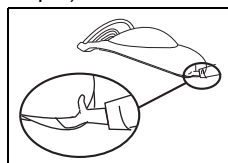
## Llene el depósito de agua limpia

#### **⚠ ATENCIÓN:**

**Temperatura de agua máxima permitida de 60°C/140°F.**

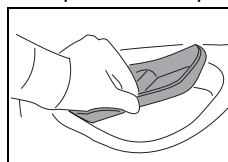
- Diversey recomienda el uso de agua fría, porque el agua caliente adquiere la temperatura del suelo en cuanto toma contacto con él y esto no aporta ninguna ventaja.

- La máquina debe estar desconectada (interruptor principal).



- Agarre la abertura entre la tapa del depósito y el tanque.  
*Con la palma de la mano hacia arriba.*

- Abra la tapa del depósito hasta que el soporte cuelgue de la pared del depósito.



- Separe la ayuda para la dosificación.

- Rellene con agua el tanque de agua limpia.

*Nivel máximo de llenado permitido (página 20).*

- Vuelva a inclinar la tapa del tanque en su posición original y apriétela hacia abajo hasta que se bloquee.

## Dosificación

#### **⚠ ADVERTENCIA:**

**Durante la manipulación de productos químicos deben usarse guantes, gafas de protección y ropa de trabajo (de protección) adecuada.**

#### **STOP PELIGRO:**

**Utilice solo los productos químicos recomendados por Diversey y tenga siempre en cuenta la información de los productos.**

*El uso de productos inadecuados (p. ej. productos con cloro, ácido o disolventes) puede producir riesgos para la salud así como daños importantes en la máquina.*

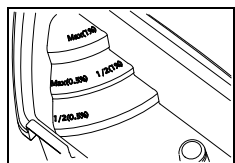
## **i** INDICACIÓN

Para una dosificación exacta, utilice la escala de la taza de dosificación.

- La marca de llenado del tanque corresponde a la marca de la taza de dosificación. El tipo de máquina aparece en la taza de dosificación.

Indicaciones en el embalaje del producto	Capacidad del tanque	Taza de dosificación
0.5%	1/2	1 x 1/2
	MAX	1 x MAX
1%	1/2	1 x MAX (2 x 1/2)
	MAX	2 x MAX

### Utilización de la taza de dosificación



- Utilice la taza de dosificación para el producto adecuado en el agua del tanque de agua limpia.

- Eleve ligeramente la tapa del depósito.
- Apriete ligeramente el apoyo de la tapa del depósito hacia dentro.
- Cierre la tapa del depósito.
- Apriete la parte saliente de la tapa del depósito para cerrar el tanque.

## **i** INDICACIÓN

TASKI le ofrece opcionalmente una dosificación automática. Esta puede montarse también a posteriori.

- Póngase en contacto con su asesor de atención al cliente.

### Limpieza previa

#### **⚠** ADVERTENCIA:

Elimine los objetos ocasionales (piezas de metal, madera, etc.) de las superficies de limpieza.

Las herramientas podrían resultar dañadas y, durante su movimiento rotatorio, se podrían arrojar estos objetos y, con ello, lesionar a alguien o causar desperfectos en la zona de trabajo.

### Comienzo del trabajo

#### **⚠** ADVERTENCIA:

Durante la operación con esta máquina, es obligatorio el uso de zapatos de seguridad y ropa de trabajo adecuada.

## **i** INDICACIÓN

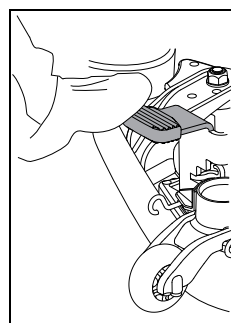
Durante el funcionamiento de la máquina, coloque ambas manos en el volante/manillar, para asegurar un correcto agarre.

#### **⚠** ADVERTENCIA:

Trate de familiarizarse primero con la máquina empezando con unas primeras pruebas de conducción en un espacio libre.

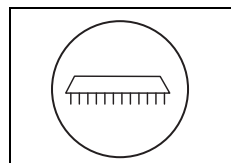
## **⚠** ADVERTENCIA:

En caso de que durante el uso de la máquina exista el peligro de caída de objetos, es necesaria una protección que cumpla con las directrices nacionales.



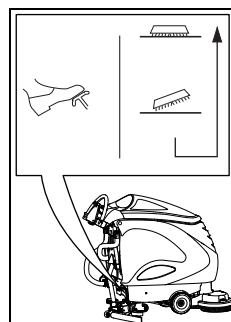
- Baje los labios.

Variantes: Dispositivo bajada automática del cepillo (opcional en 1255B)



- Pulse las llaves de seguridad de accionamiento de herramienta ENCENDIDO/APAGADO.

Variantes: Control de pie

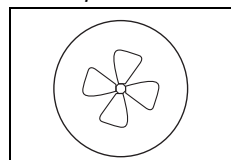


- Desatranque el control de pie y descienda lentamente la herramienta.

### Comienzo de la limpieza

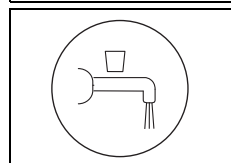
- Conecte la máquina.

Las pantallas se iluminan brevemente.



- Pulse la llave de la unidad de aspiración ENCENDIDO/APAGADO

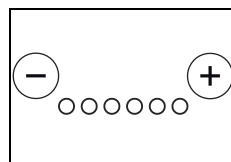
La pantalla se ilumina cuando se inicia el motor de aspiración.



- Pulse la llave de seguridad de la solución de limpieza ENCENDIDO/APAGADO.

La pantalla se ilumina.

El suministro de la solución de limpieza comenzará cuando la herramienta ruede.

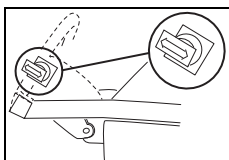


- Seleccione la dosificación deseada pulsando la llave de seguridad +/- de los niveles 1-6.

## **i** INDICACIÓN

Diversey recomienda trabajos duraderos mediante el cálculo de la correcta cantidad de dosificación del producto.

Una dosificación excesiva o insuficiente podría dar lugar a resultados poco satisfactorios de limpieza.



- Ponga la máquina en funcionamiento mediante el interruptor suave del controlador en el sentido de la marcha.

## Temporizador cuando no la use

### **i** INDICACIÓN

**La máquina se apaga automáticamente en 5 minutos si no se utiliza.**

Durante esos 5 minutos:

- no se debe realizar ninguna modificación a los cepillos.
- el usuario no debe dejar la máquina fuera de su alcance visual.
- los labios de objetos aspirados o atascados solo debe limpiarse.
- el usuario solo puede dejar la máquina fuera de su contacto visual en caso de movilización del área de trabajo.

## Capacidad de la batería - Fin de la disponibilidad de servicio

El indicador de la batería da información sobre la vida útil disponible.

- Si el indicador rojo empieza a parpadear, quedan todavía cerca de 2 minutos para los trabajos restantes.
- En el caso de las máquinas con dispositivo automático de bajada de cepillo, el motor de cepillos se apaga y se eleva la unidad de cepillos.

En el caso de las máquinas con pedal, se apaga el motor de cepillos y la unidad de cepillos se queda en el suelo.

- La pantalla roja cambia a luz continua.
- Entonces quedan 10 minutos para llevar la máquina a la estación de carga. Luego la máquina se desconecta automáticamente.
- Las baterías deben cargarse completamente para una nueva puesta en marcha.

## Método de limpieza

### Método de trabajo directo:

Fregar y aspirar dentro del mismo proceso de trabajo.

### Método de trabajo indirecto:

Aplicar solución de limpieza, fregar y aspirar en varios procesos de trabajo.

### **i** INDICACIÓN

**En ciertas condiciones y en caso de una combinación especial del revestimiento del suelo/suciedad y el producto de limpieza, se puede ver influenciada negativamente la conducción de la máquina.**

- Con las ruedas opcionales, la tracción al suelo de la máquina puede mejorarse. Póngase en contacto con su asesor de atención al cliente de TASKI.

## Relleno de la solución de limpieza

### **⚠** ADVERTENCIA:

**En los trabajos sin la solución de limpieza pueden producirse daños en el piso.**

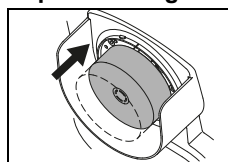
### **⚠** ATENCIÓN:

**El ruido del traqueteo de la bomba indica que el depósito de agua fresca se encuentra vacío.**

- La bomba no debe permanecer seca durante mucho tiempo.
- La máquina debe estar desconectada.
- Abra la tapa del tanque.
- Rellene el depósito de agua limpia con agua, consulte la página 24.
- Introduzca el producto de limpieza con el vaso de dosificación.
- Cierre la cubierta del depósito.

## Vacíe el agua sucia

### Depósito de agua sucia lleno:

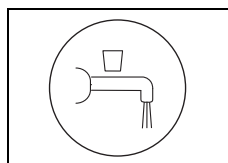


- Si el depósito de agua sucia se encuentra lleno, el flotador aspira en el filtro de aspiración.

*El cambio del sonido por el aumento de las revoluciones de aspiración, así como el encontrarse agua sobre el suelo.*

- Vacíe el depósito de agua sucia, consulte la página 27.

## Fin de trabajo

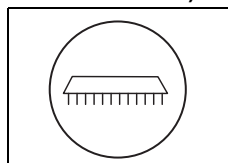


- Pulse la tecla de la solución de limpieza ENCENDIDO/APAGADO.  
*Se detiene el suministro de la solución de limpieza.*

- Siga avanzando algunos metros para que la herramienta siga girando durante un breve tiempo, de esta forma se evita un «goteo».

*Especialmente importante con los discos de contacto de TASKI.*

### Variantes: Dispositivo bajada automática del cepillo (opcional en 1255B)

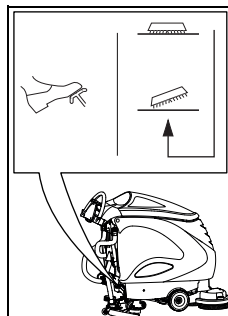


- Pulse las llaves de seguridad de accionamiento de herramienta ENCENDIDO/APAGADO.

*El indicador se ilumina, se detiene y se eleva la unidad de cepillos.*

- Siga unos metros para aspirar el agua sucia restante.

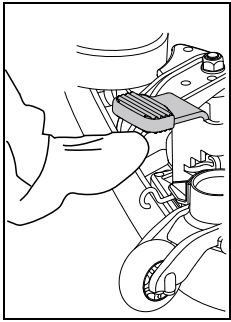
### Variantes: Control de pie



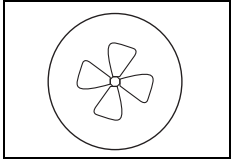
- Para elevar la herramienta, apriete el control de pie hacia abajo hasta que encaje.

- Siga unos metros para aspirar el agua sucia restante.





- Eleve los labios.  
*Deje seguir la unidad de aspiración hasta que el resto del agua sucia sea absorbida por la manguera.*



- Pulse la llave de la unidad de aspiración ENCENDIDO/APAGADO  
*La pantalla se ilumina cuando se detiene el motor de aspiración.*

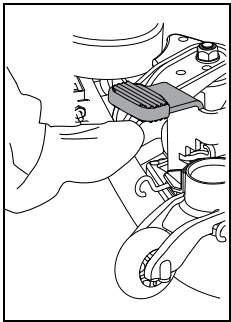
- Desconecte la máquina.

### ⚠ ATENCIÓN:

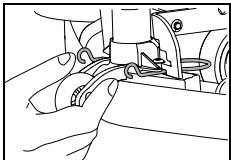
Para los siguientes pasos de vaciado y limpieza, la máquina deberá estar siempre apagada (interruptor principal) y el enchufe de desconexión de la batería deberá estar desenchufado del tomacorriente.

### Retire y limpie la tobera de aspiración

- Extraiga el orificio de la manguera de succión del soporte de la tobera.



- Levante los labios con el pie.



- Junte los bloqueos. De esta forma se desbloquean los labios y se puede retirar del soporte de la tobera.

- Limpie los labios bajo el agua con ayuda de un cepillo.

### i INDICACIÓN

Solo las cuchillas limpias e intactas consiguen un resultado óptimo de aspiración.

### Vacíe y limpie el tanque de agua sucia y limpia

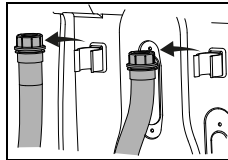
### i INDICACIÓN

La eliminación del agua sucia o de la solución de limpieza debe realizarse según las normativas nacionales.

### i INDICACIÓN

Al vaciar el tanque de recuperación, preste atención a las normativas sobre el equipamiento de protección personal del fabricante del producto de limpieza.

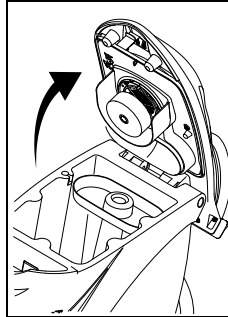
Proceda de la siguiente manera:



- Retire la manguera de drenaje del enganche para swingo.

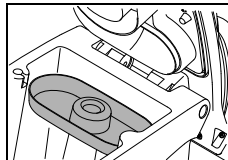
- Abra la cubierta roja o azul de la altura de agarre, baje el extremo de la manguera lentamente y vacíe el tanque de agua sucia o agua limpia.

### Limpie el tanque de agua sucia y limpia

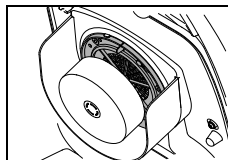


- Abra la tapa del depósito hasta que el soporte encaje de la pared del depósito.

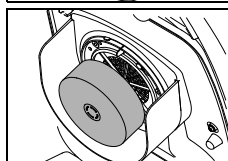
- Enjuague el depósito de agua sucia y de agua fresca a fondo con agua limpia.



- Retire el tamiz de la suciedad (amarillo), vacíe y lave a fondo con agua corriente.



- Tome el filtro de aspiración (amarillo) y elimine la suciedad con un paño o un cepillo suave.



- Controle el flotador de su capacidad de funcionamiento.

- Tras el vaciado desenrosque la cubierta azul y roja y vuelva a colgar la manguera en el enganche para swingo.

### ⚠ ATENCIÓN:

Un filtro de aspiración obstruido puede influenciar negativamente la potencia de aspiración.

- Vuelva a montar el tamiz de la suciedad (amarillo) el filtro de aspiración.
- Vuelva a colocar las mangueras de drenaje en el enganche para swingo.



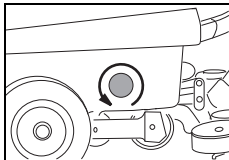
## Limpie filtro del tanque de agua limpia

### ⚠ ATENCIÓN:

Limpie el filtro del depósito de agua fresca cada vez que finalice la jornada.

Los filtros obstruidos pueden impedir la alimentación interior del líquido de limpieza y dar lugar a daños en el piso.

- La máquina debe estar desconectada (interruptor principal).



- Desenrosque el filtro del tanque de agua limpia y extráigalo.
- Enjuáguelo a fondo con agua limpia.

### i INDICACIÓN

El filtro se encuentra más profundo que la salida del tanque. Una cantidad restante de la solución de limpieza se vacía en el desenroscado de los filtros.

- Vuelva a colocar el filtro y gírelo.

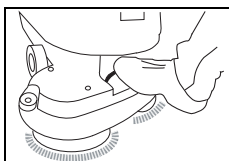
## Retire y limpie la herramienta

### i INDICACIÓN

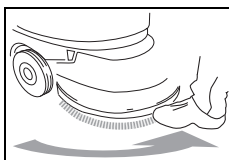
Limpie la herramienta tras finalizar los trabajos de limpieza.

- La máquina debe estar desconectada.

Variantes: 955B / 1255B:



- Apriete un poco con el pie en el bloqueo de herramientas.



- Aparte la herramienta con el pie en sentido contrario al acoplamiento de la herramienta.

- Retire la herramienta y límpiela bajo el agua corriente.

## Limpie la máquina

### ⚠ ATENCIÓN:

Nunca limpie la máquina con un limpiador de aire comprimido o con un chorro de agua.

El agua que penetra en la máquina puede producir daños considerables en las piezas mecánicas o eléctricas.

- Limpie la máquina con un trapo húmedo.

## Almacenamiento/estacionamiento de la máquina (no operativa)

### ⚠ ATENCIÓN:

La máquina debe estar desconectada (interruptor principal) y se debe retirar el enchufe de desconexión de la batería.

### i INDICACIÓN

Almacene la máquina con la tobera de aspiración elevada, la herramienta elevada y tapa del tanque abierta.

El tanque puede secarse de este modo. De este modo se puede evitar la formación de moho, hongos y olores desagradables.

### ⚠ ATENCIÓN:

Nunca almacene la máquina con baterías descargadas.

Las baterías pueden provocar daños irreparables.

## Servicio, mantenimiento y cuidado

El mantenimiento de la máquina es una condición para el funcionamiento sin problemas y la larga vida útil.

### ⚠ ATENCIÓN:

Deben usarse solo piezas originales de TASKI, si no se pierde cualquier derecho de garantía y responsabilidad.

### i INDICACIÓN

Para excluir las funciones involuntarias de la máquina, siempre debe desde el inicio de los trabajos de mantenimiento

- apagar la máquina
- retirar las llaves.

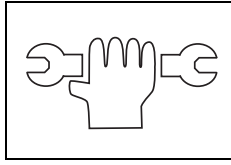
Explicación de los símbolos:

◇ = para cada fin de limpieza, ◇◇ = cada semana, ◇◇◇ = cada mes, ⊗ = luz de servicio

Actividad	◇	◇◇	◇◇◇	⊗	Página
Cargar baterías	•				23
Rellenar con agua destilada (conjunto de baterías de ácido). Debe cumplirse con el cuaderno de control del fabricante de la batería		•			23
Vaciar y limpiar el tanque de recuperación y el tanque de agua limpia	•				27
Limpieza de todas las partes marcadas en amarillo	•				
Limpie la herramienta	•				28
Limpie la tobera de aspiración, compruebe el desgaste de las láminas y si es necesario cámbielas	•				27
Limpie la máquina con un trapo húmedo	•				28
Limpie la junta de la tapa del tanque y compruebe si hay roturas; cámbiela si es necesario	•				
Programa de mantenimiento/servicio realizado por el técnico de servicio de Diversey				•	

## Intervalos de mantenimiento

Las máquinas TASKI son máquinas de alta calidad, cuya seguridad ha sido verificada por inspectores autorizados en fábrica. Los componentes eléctricos y mecánicos se ven sometidos tras un uso prolongado al desgaste y al envejecimiento.



- Para mantener la seguridad en el funcionamiento y la disponibilidad, se debe realizar un servicio de mantenimiento cuando se encienda la luz del indicador de servicio (ajuste de fábrica 450 horas de trabajo) o al menos una vez al año.

## **i** INDICACIÓN

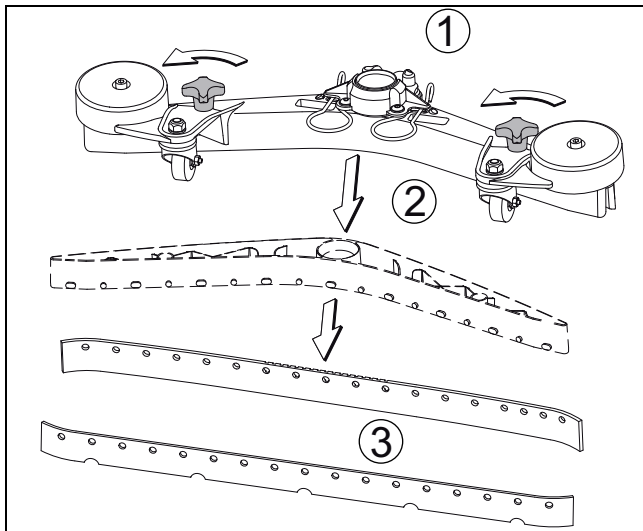
En caso de requisitos extraordinarios y/o un mantenimiento insuficiente deben acortarse los intervalos.

## Servicio de atención al cliente

En caso de ponerse en contacto con nosotros por una avería o para realizar un pedido, facilítenos primero la denominación del modelo y el número de la máquina.

Estas indicaciones se encuentran en la placa de características de la máquina. En la última página de estas instrucciones de uso encontrará la dirección de su servicio oficial TASKI.

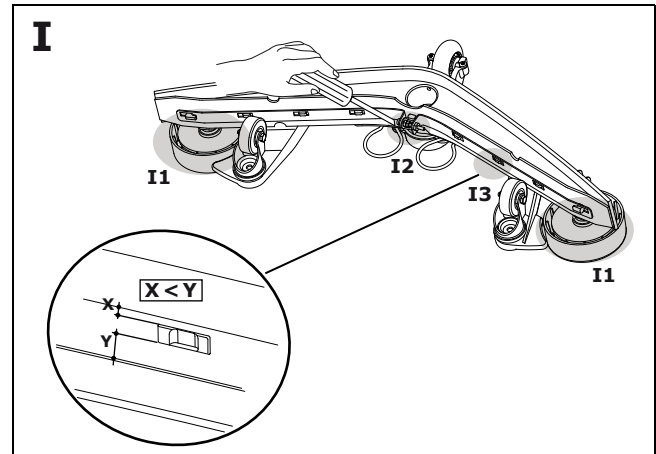
## Cambio de láminas swingo 755B/855B



- Desatornille la empuñadura de estrella (1), extraiga el cuerpo de cuchilla (2) de la plataforma de labios de secado y separe las cuchillas (3)
- Ahora puede girar o sustituir las cuchillas.
- Vuelva a colocar el cuerpo de cuchilla (2) en la plataforma de labios de secado y vuelva a atornillar la empuñadura de estrella (1).

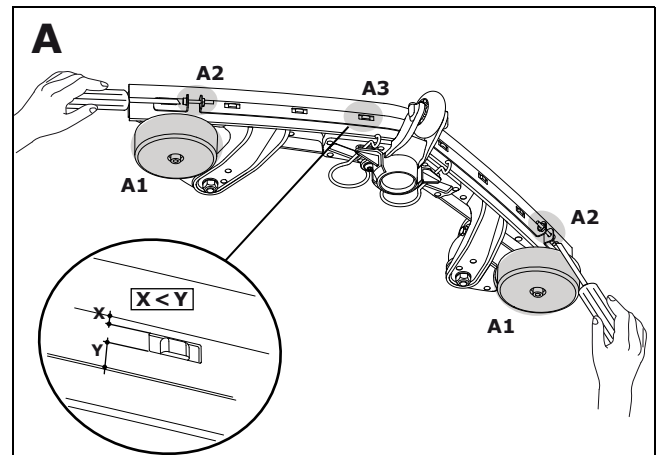
## Cambio de cuchillas swingo 955B/1255B

Cuchilla en el radio interior



- Coloque la plataforma de labios de secado limpia con las ruedas de protección hacia abajo sobre una superficie firme (mesa, suelo, etc.). (Detalle I1)
- Suelte el tornillo (no lo extraiga completamente), hasta que se pueda separar la correa de apriete en medio de la correa de apriete de dos partes. (Detalle I2)
- Limpie la plataforma de labios de secados, las cuchillas y la correa de apriete con un cepillo bajo agua corriente.
- Monte las cuchillas «invertidas» o las nuevas cuchillas en la plataforma de labios de secado.
- Vuelva a colocar la correa de apriete en la posición correcta de la cuchilla (Detalle I3).
- Tense la correa de apriete. (Detalle I2)

Cuchilla en el radio exterior.



- Coloque la plataforma de labios de secado limpia con las ruedas de protección hacia abajo sobre una superficie firme (mesa, suelo, etc.). (Detalle A1)
- Suelte los tornillos (no los extraiga completamente), hasta que se pueda separar la correa de apriete en medio de la correa de apriete de tres partes. (Detalle A2)
- Limpie la plataforma de labios de secados, las cuchillas y la correa de apriete con un cepillo bajo agua corriente.
- Monte las cuchillas «invertidas» o las nuevas cuchillas en la plataforma de labios de secado.
- Vuelva a colocar la correa de apriete en la posición correcta de la cuchilla (Detalle A3).
- Tense la correa de apriete. (Detalle A2)

## Averías

Avería	Posible causa	Solución de la avería	Página
Una máquina sin función no puede ponerse en marcha	Máquina desconectada	<ul style="list-style-type: none"> <li>Gire la llave</li> </ul>	20
	Enchufe de desconexión de la batería no conectado	<ul style="list-style-type: none"> <li>Conecte el enchufe de desconexión de la batería con la máquina</li> </ul>	20
	Fusible principal defectuoso	<ul style="list-style-type: none"> <li>Controle/Cambie el fusible</li> <li>Contacte con el servicio oficial</li> </ul>	
	Active el inmovilizador o el fallo en el control	<ul style="list-style-type: none"> <li>Colóquelo sobre el estribo</li> </ul>	
	Baterías descargadas o aparato de carga de baterías defectuoso	<ul style="list-style-type: none"> <li>Cargue las baterías</li> <li>Contacte con el servicio oficial</li> </ul>	24
	Baterías defectuosas	<ul style="list-style-type: none"> <li>Contacte con el servicio oficial</li> </ul>	
La unidad de cepillos o la unidad de aspiración no se pueden desconectar	Error en el sistema electrónico o el panel de control	<ul style="list-style-type: none"> <li>Interrumpa la máquina con la parada de emergencia</li> <li>Contacte con el servicio oficial</li> </ul>	19
El cepillo no gira	Transmisión del cepillo desconectada	<ul style="list-style-type: none"> <li>Pulse la llave del cepillo</li> </ul>	20
	Fusible principal defectuoso	<ul style="list-style-type: none"> <li>Cambie el fusible</li> </ul>	
	El motor gira; la herramienta no	<ul style="list-style-type: none"> <li>Correas de accionamiento rotas</li> <li>Contacte con el servicio oficial</li> </ul>	
Mala capacidad de aspiraciónEl suelo permanece húmedoNo aspira el agua sucia	La unidad de aspiración no está conectada	<ul style="list-style-type: none"> <li>Pulse la tecla de seguridad de la unidad de aspiración</li> </ul>	20
	Manguera de aspiración no enchufada	<ul style="list-style-type: none"> <li>Enchufe la manguera de aspiración</li> </ul>	24
	La tobera de aspiración no está en el suelo	<ul style="list-style-type: none"> <li>Compruebe el correcto funcionamiento del enganche de la tobera de aspiración</li> </ul>	24
	Cuchillas desgastadas	<ul style="list-style-type: none"> <li>Cambiar las cuchillas</li> </ul>	29
	Manguera o tobera obstruida (por ejemplo: trozos de madera, resto de materiales)	<ul style="list-style-type: none"> <li>Retire los cuerpos extraños</li> </ul>	
	Filtro de aspiración obstruido	<ul style="list-style-type: none"> <li>Retire los cuerpos extraños</li> </ul>	20
	El indicador de la unidad de aspiración se ilumina, pero el aspirador no funciona	<ul style="list-style-type: none"> <li>Controle el fusible y cámbielo si fuese necesario</li> <li>Si el fusible está bien, póngase en contacto con el servicio oficial</li> </ul>	24
La unidad de aspiración se desconecta	El tanque de recuperación está lleno	<ul style="list-style-type: none"> <li>Vacíe el tanque de recuperación</li> <li>Controle la supervisión de la batería</li> <li>Controle los fusibles</li> </ul>	26
	Tanque de recuperación sucio	<ul style="list-style-type: none"> <li>Contrólole o si es necesario límpielo</li> </ul>	27
Salida insuficiente de solución de limpieza	Tanque de la solución de limpieza vacío	<ul style="list-style-type: none"> <li>Controle el tanque de la solución de limpieza</li> </ul>	26
	Solución de limpieza ajustada demasiado pequeña	<ul style="list-style-type: none"> <li>Ajuste la cantidad de la solución de limpieza con la llave de seguridad +/-</li> </ul>	20
	Llave de seguridad de la solución de limpieza desconectada	<ul style="list-style-type: none"> <li>Pulse la llave de seguridad de la solución de limpieza</li> </ul>	20

## Datos técnicos

Máquina	755B	855B	955B	1255B	
Ancho de trabajo	43	50	55		cm
Ancho de los labios	69		80		cm
Dimensiones (L x An x Al)	116x48x120	122x53x120	118x58x117	142x58x117	cm
Peso de la máquina máximo para el funcionamiento	160		179	260	kg
Tensión nominal	24 V				DC
Potencia nominal	900		1000		W
Tanque de agua limpia nominal +/- 5%	40			60	l

Valor calculado de acuerdo IEC 60335-2-72	755B	855B	955B	1255B	
Peso con batería Gel (transporte)	120		139	200	kg
Peso con batería Lithium 50Ah (transporte)	106		125	--	kg
Peso con batería Lithium 100Ah (transporte)	99		118	169	kg
Nivel de intensidad acústica en LpA	68	68	64	61	dB(A)
Incertidumbre KpA	2.5				dB(A)
Valor total de la vibración	<2.5				m/s <sup>2</sup>
Incertidumbre K	0,25				m/s <sup>2</sup>
Protección contra salpicaduras	IPX3				
Clase de protección	III				

## Accesorio

N.º	Artículo	755B	855B	955B	1255B
7510829	Plato de arrastre 43 cm	1x			
8504750	Cepillo de fregar de nylon 43 cm	1x			
8504780	Cepillo abrasivo 43 cm	1x			
8504800	Escobilla para hormigón con piedras 43 cm	1x			
7510830	Plato de arrastre 50 cm		1x		
8504770	Cepillo de fregar de nylon 50 cm		1x		
8505130	Cepillo de fregar de nylon abrasivo 50 cm		1x		
8505120	Escobilla para hormigón con piedras 50 cm		1x		
7510634	Plato de arrastre 28 cm			2x	2x
7519395	Cepillo de fregar 28 cm			2x	2x
7510632	Escobilla para hormigón con piedras 28 cm			2x	2x
7510633	Cepillo abrasivo 28 cm			2x	2x
8502830	Llenar con agua con Revoflow universal	x	x	x	x
7517125	Juego IntelliDose	x	x	x	x
	IntelliTrail	x	x	x	x
	Juego de conjunto de baterías de ácido	x	x	x	x
	Diferentes almohadillas (poliéster marrón, azul, rojo y almohadilla contacto)	x	x	x	x

## Transporte

### **⚠ ADVERTENCIA:**

Esta máquina solo se eleva con materiales auxiliares (p. ej. plataforma elevadora, rampas, etc.).

### **⚠ ATENCIÓN:**

El enchufe de desconexión de la batería tiene que retirarse para el transporte.

### **i INDICACIÓN**

Transporte la máquina de pie.

### **i INDICACIÓN**

Asegúrese de que la máquina esté correctamente sujeta y asegurada al vehículo de transporte.

## Eliminación

### **i INDICACIÓN**

La máquina y los accesorios deben desecharse de forma profesional según las normativas nacionales.

- Su servicio técnico Diversey puede ayudarle.

## Baterías

### **⚠ ADVERTENCIA:**

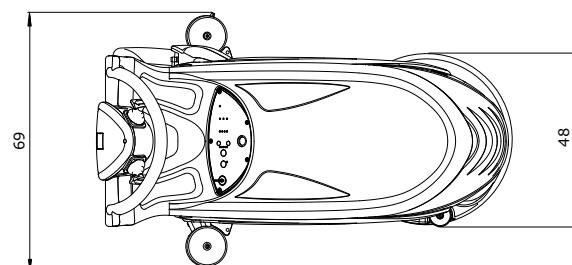
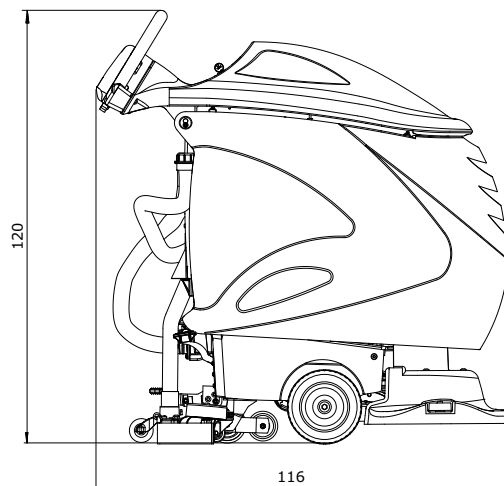
Las baterías deben sacarse de la máquina antes de que se realice una eliminación profesional.

*Las baterías usadas se deben eliminar siguiendo las directivas de la UE 2006/66/CE o las correspondientes normativas nacionales según la protección del medio ambiente.*

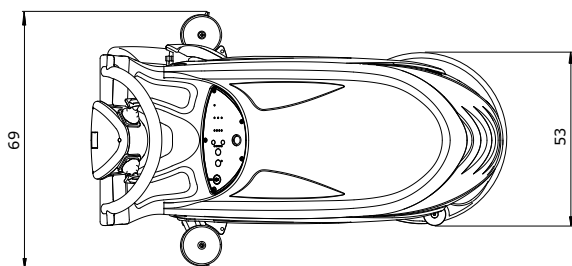
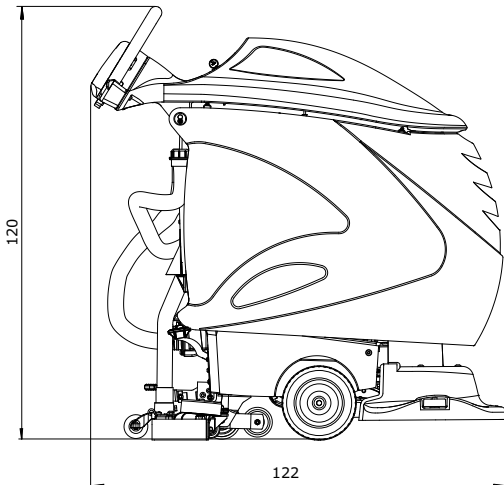
## Dimensiones de la máquina

¡Las dimensiones se dan en centímetros!

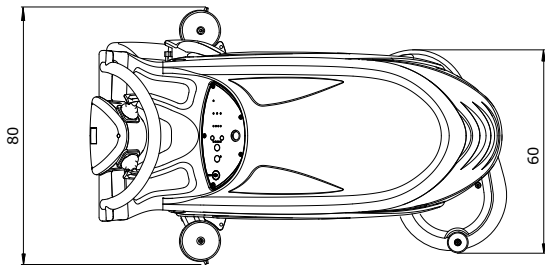
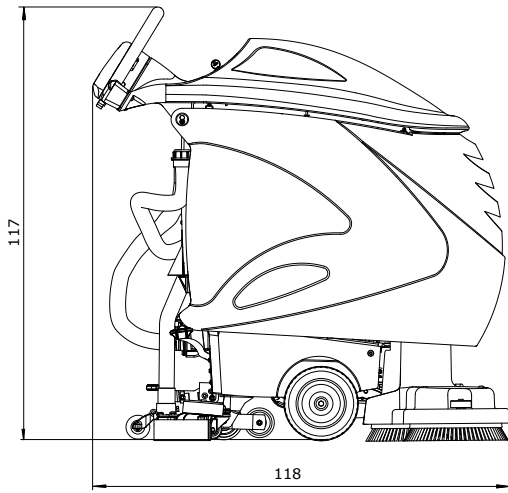
### swingo 755B



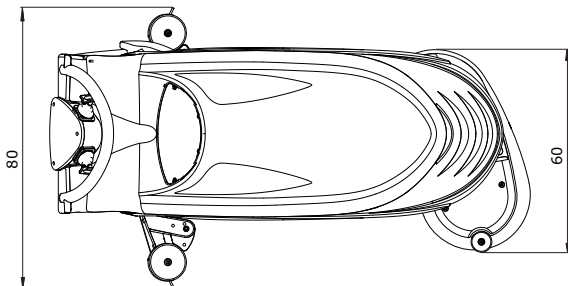
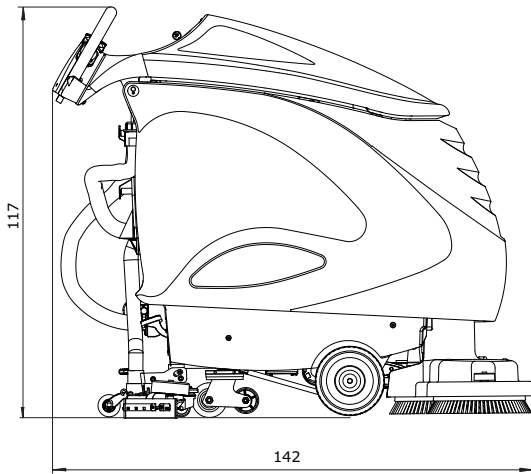
### swingo 855B



**swingo 955B**



**swingo 1255B**





## FR Traduction des instructions d'utilisation originales



Avant la première mise en service, lisez impérativement les instructions d'utilisation et de sécurité. Conservez soigneusement les instructions d'utilisation à portée de main afin de pouvoir les consulter à tout moment.

### Légende

#### **STOP Danger:**

**Ce symbole indique des informations importantes. Le non-respect de ces remarques peut entraîner un danger pour les personnes et / ou des dommages matériels importants !**

#### **⚠ Avertissement:**

**Ce symbole indique des informations importantes. Le non-respect de ces remarques peut entraîner un danger pour les personnes et / ou des dommages matériels importants !**

#### **⚠ Attention:**

**Ce symbole indique des informations importantes. Le non-respect de ces remarques peut entraîner des défauts et des dommages matériels !**

#### **i Remarque:**

**Ce symbole indique des informations importantes en lien avec l'utilisation efficace du produit. Le non-respect de ces remarques peut entraîner des défauts !**

### Table des matières

Instructions de sécurité . . . . .	34
Produits de nettoyage . . . . .	35
Documents détaillés . . . . .	35
Protection de l'environnement . . . . .	36
Vue d'ensemble . . . . .	36
Batteries . . . . .	37
Avant la mise en service . . . . .	40
Démarrer les opérations . . . . .	41
Fin des opérations . . . . .	42
Service, maintenance et entretien . . . . .	44
Défauts . . . . .	46
Données techniques . . . . .	47
Accessoires . . . . .	47
Transport . . . . .	48
Mise au rebut . . . . .	48
Dimensions de la machine . . . . .	48

### Usage normal de la machine

Les machines sont conçues pour une utilisation industrielle (par ex. dans des hôtels, écoles, hôpitaux, usines, centres commerciaux, gymnases, etc.).

Dans le strict respect de ces instructions d'utilisation, celle-ci sert au nettoyage humide de revêtements de sol durs. Ces machines sont exclusivement conçues pour une utilisation à l'intérieur.

#### **⚠ Attention:**

**La machine ne doit pas être employée pour cirer, huiler, cirer, nettoyer des tapis et aspirer des poussières. Le nettoyage humide de parquet et sols laminés avec cette machine se fait à vos propres risques.**

#### **STOP Danger:**

**Si la machine subit des changements non autorisés par Diversey, les signaux de sécurité et le marquage CE seront invalides. Une utilisation de la machine contraire à l'usage normal de la machine peut entraîner des blessures et des dommages de la machine et de l'environnement de travail. De manière générale, cela entraîne dans ce cas l'annulation de toute garantie et droits éventuels de réclamation.**

### Instructions de sécurité

Par leur conception et construction, les machines TASKI sont conformes aux exigences fondamentales de sécurité et de santé en vigueur des directives CE et sont donc pourvues du marquage CE.

#### **STOP Danger:**

**La machine doit uniquement être utilisée par des personnes correctement formées à son utilisation ou ayant prouvé leur capacité à l'utiliser et étant explicitement chargées de son utilisation.**

#### **STOP Danger:**

**La machine ne doit pas être utilisée par des personnes, y compris des enfants, avec des capacités physiques, sensorielles ou mentales réduites ou qui n'ont pas l'expérience et les connaissances nécessaires.**

*Surveiller les enfants et veiller à ce qu'ils ne jouent pas avec la machine.*

#### **STOP Danger:**

**La machine ne doit pas être utilisée dans des pièces dans lesquelles des substances à risque d'explosion ou facilement inflammables (par ex. essence, solvants, huile de chauffage, poussières, etc.) sont entreposées ou utilisées.**

*Les composants électriques ou mécaniques pourraient entraîner l'inflammation de ces substances.*

#### **STOP Danger:**

**La machine ne doit pas être utilisée pour l'aspiration de substances toxiques, dangereuses pour la santé, caustiques et irritantes (par ex. poussière dangereuse, etc.) ou de liquides inflammables. Le système de filtration ne retient pas suffisamment les substances de ce type.**

*Il n'est alors pas possible d'exclure d'éventuels troubles médicaux pour l'utilisateur et les tiers.*

#### **STOP Danger:**

**Faites attention à la situation locale ainsi qu'aux tiers et aux enfants ! Vous devez en particulier ralentir la vitesse à proximité d'emplacement difficilement visibles tels que devant des portes ou des courbes.**

#### **STOP Danger:**

**Cette machine ne doit pas servir au transport de personnes ou d'objets.**

**STOP Danger:**

Dans le cas d'une erreur de fonctionnement, d'un défaut et après une collision ou une chute, la machine doit être examinée par un technicien compétent avant la prochaine utilisation. Cela vaut également si la machine a été laissée à l'extérieur, plongée dans l'eau ou exposée à l'humidité.

**STOP Danger:**

En cas de dommages de pièces liées à la sécurité comme le capot de brosse, le cordon d'alimentation principale ou les couvercles de protection menant aux pièces transportant le courant, arrêter la machine immédiatement !

**STOP Danger:**

La machine ne doit pas être stationnée, garée ou stockée en pente.

**STOP Danger:**

Pour tous les travaux sur la machine, celle-ci doit être coupée et la clé retirée.

**STOP Danger:**

La machine peut être utilisée sur des pentes <2%. Les pentes doivent être parcourues en conduisant lentement et en utilisant le mode « tortue » afin d'assurer un arrêt de sécurité.

Si vous prenez un virage serré dans les pentes, cela peut affecter la stabilité de la machine et est donc interdit. Risque d'accident.

**STOP Danger:**

La machine ne doit être utilisée que sur un sol solide, stable et suffisamment porteur.

*Il existe un risque d'accident en cas de non respect.*

**⚠ Avertissement:**

La machine doit uniquement être utilisée et entretenue dans un environnement sec, à faible teneur en poussière, à des températures comprises entre +10 °C / +50 °F et +35 °C / +95 °F.

**⚠ Avertissement:**

Les travaux de réparation sur des pièces mécaniques ou électriques de la machine ne doivent être effectués que par des techniciens compétents habitués à toutes les consignes de sécurité pertinentes.

**⚠ Avertissement:**

N'utilisez que des outils (brosses, pads ou autres) définis dans les présentes instructions d'utilisation parmi les accessoires ou recommandés par le conseiller TASKI. Les autres brosses sont susceptibles de gêner la sécurité et les fonctions de la machine.

**⚠ Avertissement:**

Respectez systématiquement les prescriptions nationales concernant la protection des personnes et la prévention des accidents ainsi que les indications du fabricant concernant l'utilisation de produits nettoyants.

**⚠ Attention:**

Coupez immédiatement le système d'aspiration si de la mousse ou un liquide s'échappe de la machine !

**⚠ Attention:**

Cette machine doit uniquement être utilisée avec des batteries appropriées et des chargeurs contrôlés.

**⚠ Attention:**

La machine doit être protégée contre toute utilisation non autorisée. Par conséquent, toujours retirer la clé avant de vous éloigner de la machine ou la conserver dans une pièce fermée.

**i Remarque:**

Les machines et appareils TASKI sont construits de telle façon que, par l'état actuelle des connaissances scientifiques, les dangers sanitaires provenant des émissions de bruit ou de vibrations sont écartés.

Consulter les données techniques à la page 47.

## Produits de nettoyage

**i Remarque:**

Les machines TASKI sont construites de manière à fournir les meilleurs résultats possibles avec les produits de nettoyage TASKI. Utiliser d'autres produits de nettoyage peut entraîner un fonctionnement défectueux ou des dommages sur la machine ou l'environnement de travail. Nous vous recommandons ainsi de n'utiliser que des produits de nettoyage TASKI.

*Les défauts résultants de l'utilisation de mauvais produits de nettoyage ne sont pas couverts par la garantie.*

- Pour plus d'informations, veuillez vous adresser à votre partenaire de service TASKI.

## Documents détaillés

**i Remarque:**

Le schéma électrique correspondant à cette machine est fourni dans la liste des pièces détachées.

- Contactez le service clientèle pour de plus amples informations.

**i Remarque:**

Cette instruction d'utilisation ainsi que toutes les instructions d'utilisation pour les machines TASKI sont disponibles sur le site Internet suivant:

[www.taski.com](http://www.taski.com)

## Protection de l'environnement

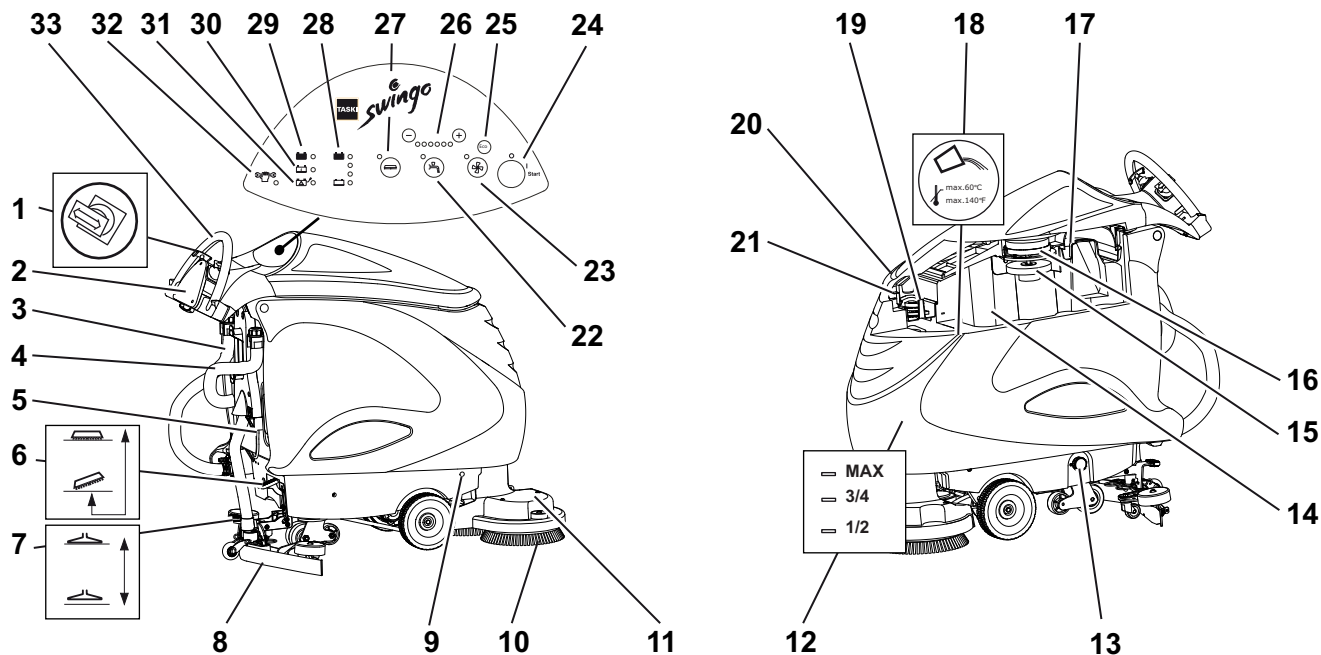


Les matériaux constitutifs de l'emballage sont recyclables. Ne pas jeter les emballages dans les ordures ménagères, mais les rendre à un système de recyclage.



Les appareils usés contiennent des matériaux précieux recyclables lesquels doivent être rendus à un système de recyclage. Des batteries, de l'huile et d'autres substances semblables ne doivent pas être tout simplement jetées. Pour cette raison, utiliser des systèmes adéquats de collecte pour éliminer les appareils usés.

## Vue d'ensemble



- 1 Interrupteur de conduite
- 2 Compteur d'heures (option)
- 3 Tuyau de vidange pour solution de nettoyage (couvercle bleu)
- 4 Tuyau de vidange pour eau de récupération (couvercle rouge)
- 5 Prise de déconnexion de batterie (codage)
- 6 Variante : Pédale d'outil
- 7 Pédale de raclette
- 8 Raclette
- 9 Option : Verrou de compartiment à batterie
- 10 Outil (brosses, pads, etc.)
- 11 Unité de brossage
- 12 Indicateur du niveau de remplissage
- 13 Filtre du réservoir d'eau propre
- 14 Cuve de récupération
- 15 Flotteur (sécurité antidébordement de la cuve de récupération)
- 16 Filtre d'aspiration
- 17 Tamis à poussière
- 18 Réservoir d'eau propre
- 19 Dispositif de dosage
- 20 Couvercle du réservoir
- 21 Ouverture du couvercle du réservoir
- 22 Clé d'alimentation de solution de nettoyage (MARCHE / ARRÊT)
- 23 Clé de système d'aspiration (MARCHE / ARRÊT)
- 24 Interrupteur
- 25 Clé de mode ECO (MARCHE / ARRÊT)
- 26 Clés d'alimentation en solution de nettoyage quantité (+ / -)
- 27 Clé d'entraînement des brosses MARCHE / ARRÊT (uniquement pour 1255B EBU)
- 28 Indicateur de batterie
- 29 Indicateur de batterie chargée
- 30 Indicateur de batterie en charge
- 31 Indicateur de défaut sur la batterie / l'alimentation secteur
- 32 Indicateur de service
- 33 Timon

## Batteries

### Batteries admissibles

Des batteries de traction sont nécessaires pour l'utilisation de cette machine (pas de batteries liquides, de démarrage ou portables). Nous recommandons des batteries de traction pures. Seules ces batteries garantissent une longue durée d'utilisation.

Les batteries de traction sont produites sous la forme de batteries fermées ou de batteries sans entretien (VRLA) (gel, AGM, PureLead, lithium). Pour chaque modèle et constructeur, la machine doit être réglée en conséquence.

Chaque batterie offre une durée d'utilisation différente et des caractéristiques de performance variées.

La programmation de la machine ou du chargeur doit être effectuée après l'installation des batteries ou lors d'un changement du type et / ou du fabricant de batteries et avant la mise en service.

Un réglage erroné peut entraîner une panne précoce des batteries.

#### **i** Remarque:

**Ne pas mélanger des batteries différentes, ou des anciennes avec des nouvelles ou des batteries défectueuses.**

#### **i** Remarque:

**Les batteries anciennes et / ou défectueuses doivent être éliminées correctement. Consulter les informations à la page 48**

### Mesures de sécurité pour la manipulation des batteries



Les batteries contiennent de l'acide. Lors des travaux de maintenance, porter des lunettes de protection pour le montage et le démontage des batteries liquides !



Rincer abondamment avec de l'eau propre les projections d'acide dans les yeux ou sur la peau. Puis, consulter immédiatement un médecin. Laver les vêtements avec de l'eau !



Un mélange gazeux dangereux se forme lors du chargement des batteries. Tenir impérativement éloigné des flammes ouvertes ou des objets chauffés !



Ne pas fumer !



Danger de brûlure par acide !



Prudence ! Les pôles de la batterie sont toujours sous tensions, ne pas poser d'objet dessus !

#### **⚠** Attention:

**Conserver les batteries propres et sèches. Essuyer immédiatement les fuites d'acide ou d'eau.**

- Portez des gants de protection.

#### **⚠** Attention:

**Seuls des services après-vente ou des techniciens Diversy agréés peuvent installer les batteries selon le schéma de raccordement.**

*Les erreurs de montage ou de raccordement peuvent entraîner des blessures graves, une explosion et des dommages importants de la machine et de son environnement.*

#### **⚠** Attention:

**Veillez à une ventilation suffisante lors du chargement des batteries.**

#### **i** Remarque:

**Respectez également la produit Fiche de donnée de sécurité du fabricant des batteries.**

#### **i** Remarque:

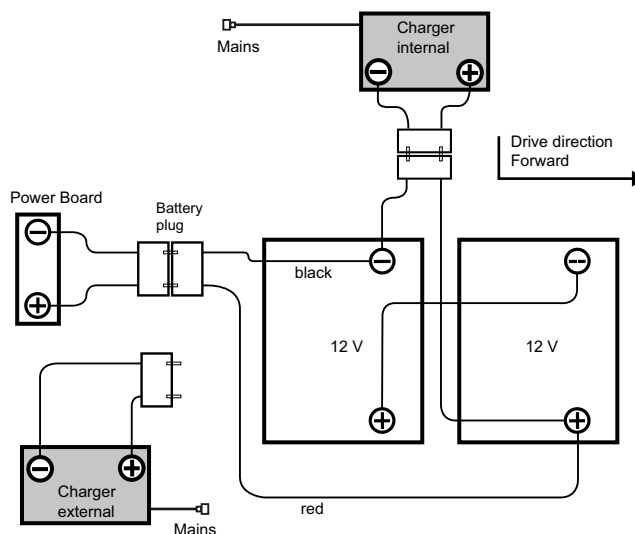
**Respectez également les instructions d'utilisation du fabricant des batteries.**

#### **⚠** Attention:

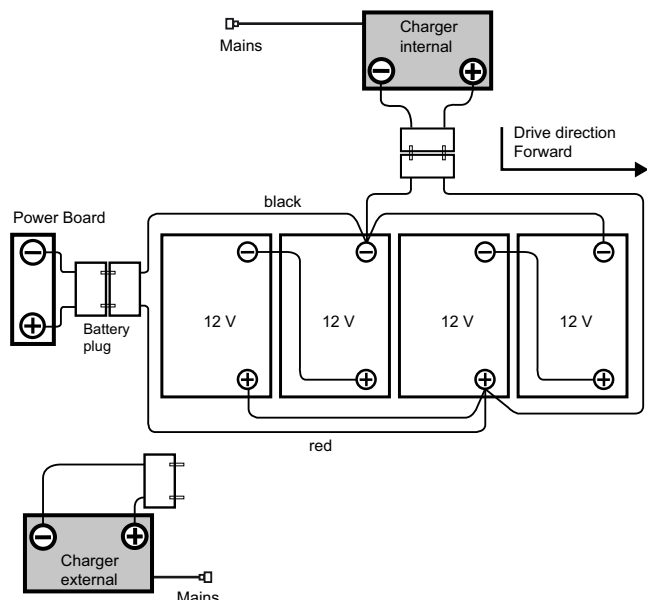
**Lors de la maintenance des batteries, celles-ci doivent être séparées de la machine !**

### Schéma de raccordement des batteries

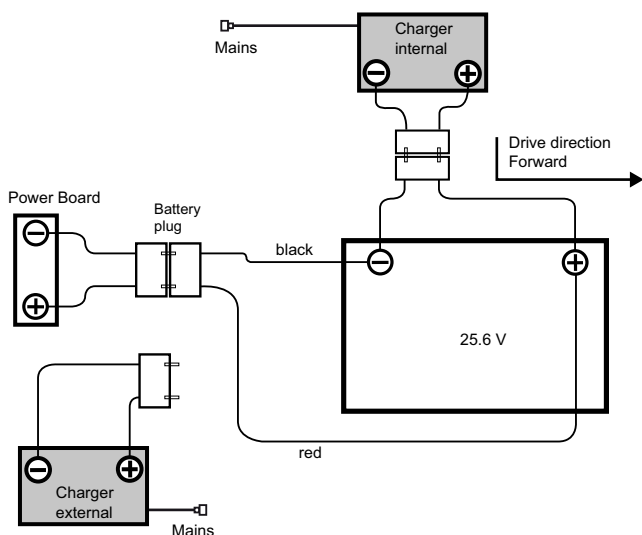
#### swingo 755B/855B/955B Power (Gel)



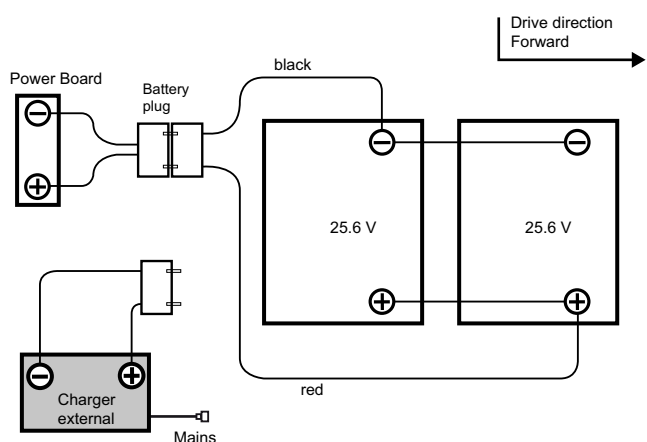
## swingo 1255B Power (Gel)



## swingo 755B/855B/955B Power (Lithium 50Ah)



## swingo 755B/855B/955B/1255B Power (Lithium 100Ah)



## En cas d'urgence

**STOP Danger:**

En cas d'urgence (comportement anormal de la machine), la prise de déconnexion de batterie doit être débranchée.

## Processus de charge

**Attention:**

Respectez les instructions d'utilisation du fabricant du chargeur de batterie externe.

**Attention:**

Chaque type de batterie et / ou fabricant de batterie requiert une courbe de chargement différente.

Une courbe de chargement erronée ou l'utilisation d'un chargeur inapproprié entraîne une panne précoce ou une destruction rapide des batteries.

**Remarque:**

Les chargeurs embarqués disponibles en option sont adaptés à la taille de la batterie et contiennent plusieurs courbes de chargement réglées en usine ou par le technicien de service TASKI pour les batteries recommandées. Cette consigne s'applique également à l'utilisation de chargeurs stationnaires (externes).

**Attention:**

Des utilisations brèves durables avec rechargement consécutif peuvent endommager durablement les batteries.

- Valeur de référence : Avant un rechargement, un déchargement minimum d'env. 20% de la capacité disponible doit avoir eu lieu.

**Attention:**

Pour atteindre leur durée de vie maximale, les batteries de traction doivent parcourir 2x par semaine un cycle de charge complet (12-16 heures).

**Attention:**

Avant un arrêt de longue durée de la machine, les batteries doivent parcourir un cycle de charge complet. Le chargeur est ensuite séparé de la machine ou du secteur. Les batteries se déchargent au fil du temps. Selon le type, elles doivent être rechargées après 3 à 6 mois.

- Avant une remise en service, les batteries doivent à nouveau parcourir un cycle de charge complet.

**Attention:**

Débranchez la prise de déconnexion de batterie en cas d'arrêt prolongé de la machine.



## Processus de chargement avec chargeur externe

### **i** Remarque:

N'utiliser que des chargeurs recommandés par le fabricant de la batterie et certifiés SELV (sécurité très basse tension).

### **STOP** Danger:

Ne pas brancher le chargeur à la machine lorsqu'il est sous tension (chargeur activé).

*L'utilisateur pourrait se blesser par un choc électrique.*

### **!** Avertissement:

Les cordons de chargement transmettent des courants élevés. En cas de signe de dommage sur la fiche, le câble ou le raccordement de l'appareil, ne pas utiliser le chargeur

- Raccordez le chargeur de batterie externe à la prise jack chargeur de la batterie.

### **i** Remarque:

Assurez-vous que la fiche soit enfoncée jusqu'à la butée d'arrêt pour garantir un bon contact électrique.

### **i** Remarque:

Vérifier si le chargeur branché a démarré le processus de chargement.

### **i** Remarque:

Toutes les fonctions de la machines sont désactivées pendant le processus de chargement.

## Processus de chargement avec chargeur embarqué (en option)

### **!** Attention:

La machine doit être coupée (interrupteur principal) et la prise de déconnexion de batterie débranchée.

- Retirez le cordon d'alimentation principale et raccordez-le à une prise (à fusible à action retardée).

## Après le processus de chargement

### **!** Avertissement:

Coupez le chargeur avant de séparer le raccordement aux batteries.

*La séparation du chargeur allumé peut entraîner une explosion dans le compartiment à batterie.*

- Rangez le cordon d'alimentation principale en cas de chargeurs embarqué (en option) dans la zone prévue.
- Conservez le cordon de chargement au sec et à l'abri des dommages.

## Maintenance et entretien de batteries ouvertes (liquides)

### **i** Remarque:

L'entretien de batteries ne nécessitant pas de maintenance se limite au maintien de processus de chargement corrects et au réglage de la courbe de chargement.

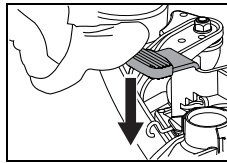
## Ouvrir le compartiment à batterie pour maintenance

- La machine doit être coupée.

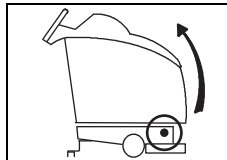
### **!** Avertissement:

Avant l'ouverture du compartiment à batterie, vérifier que les deux zones de réservoir sont vides.

- Coupez le raccordement batterie - machine sur la prise de déconnexion de batterie.

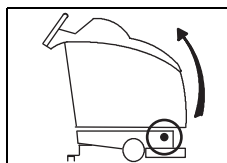


- Abaissez la raclette.

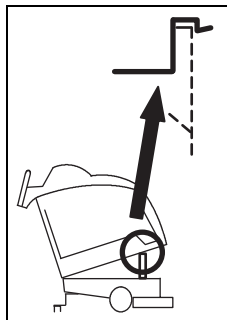


- L'ouverture du compartiment à batterie se trouve en bas à gauche et à droite, à l'avant de la machine.
- Desserrez les deux vis et retirez-les.

Variante : Machine avec ensemble batterie liquide



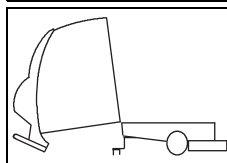
- L'ouverture du compartiment à batterie se trouve en bas à gauche, à l'avant de la machine.
- Appuyez sur l'ouverture (par ex. avec un tournevis) dans l'orifice prévu à cet effet et soulevez le réservoir jusqu'à l'enclenchement.



- Position du réservoir avant le changement de position.



- Placez-vous derrière la machine.
- Ouvrez le compartiment à batterie avec prudence jusqu'à ce que le timon repose au sol.



- Ouvrez le compartiment à batterie avec prudence jusqu'à ce que le timon repose au sol.

### **!** Avertissement:

Après la maintenance, basculez le réservoir dans la position d'origine et verrouillez-le.

### **i** Remarque:

Soulevez à nouveau la raclette.

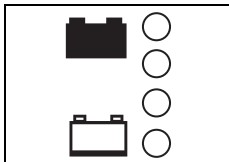
### **i** Remarque:

Rétablissez le raccordement batterie - machine sur la prise de déconnexion de batterie.

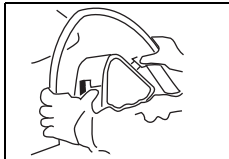


## Avant la mise en service

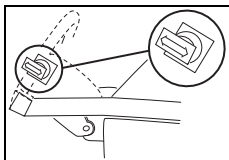
### Déplacement



- Allumez la machine (interrupteur).  
*L'indicateur s'allume brièvement.*  
*L'indicateur de batterie vous signale l'état de fonctionnement de la machine. (en cas de défaut, voir page 46).*



- Agrippez le timon et positionnez la hauteur de l'interrupteur de conduite de manière à pouvoir travailler agréablement avec.



- Appuyez doucement sur l'interrupteur de conduite dans le sens de la marche pour mettre la machine en mouvement, relâchez-le pour l'arrêter.

### Installer l'outil

Avant le réglage, vérifiez :

- que la brosse n'est pas en-dessous du marquage rouge (touffe de poils) ou d'une longueur de brosse de 1 cm.
- l'usure et la propreté du pad avant l'utilisation.

#### **⚠ Attention:**

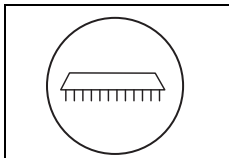
**N'utilisez pas de brosses ayant atteint la limite d'usure. Celle-ci est indiquée par la longueur de la touffe de poils rouge. Ne pas utiliser de pads usés ou sales. Utilisez uniquement des brosses TASKI originales.**

*Le non respect peut entraîner des résultats de nettoyage médiocres, voire des dommages sur les sols.*

- Positionnez les brosses sous l'unité de brossage.
- Mettez la machine en marche.

*Les indicateurs s'allument brièvement.*

### Variante : Unité de relevage des brosses automatique (option 1255B)

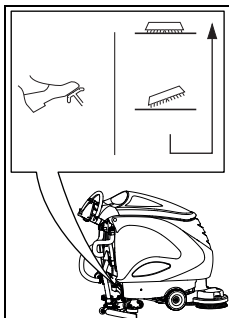


- Appuyez sur les clés d'entraînement des brosses MARCHE / ARRÊT.

*L'entraîneur de brosse commence à pulser lentement pendant l'abaissement. Les brosses sont ainsi centrées et raccordées.*

*L'indicateur s'allume.*

### Variante : Pédale



- Déverrouillez la pédale et abaissez lentement les brosses.

*L'entraîneur de brosse commence à pulser lentement pendant l'abaissement. Les brosses sont ainsi centrées et raccordées.*

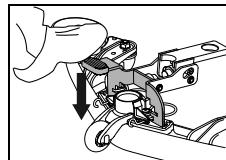
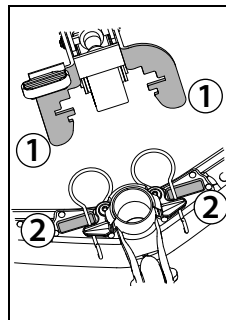
*L'indicateur d'entraînement des brosses s'allume.*

#### **i Remarque:**

**Une fois que la brosse est abaissée, un léger mouvement d'avant en arrière de la machine permet de faciliter le raccordement.**

## Montage de la raclette

- La machine doit être coupée (interrupteur principal).
- Positionnez la raclette (2) sous le support (1).



- Appuyez la pédale vers le bas jusqu'à l'enclenchement du support à raclette.
- Enfichez le flexible d'aspiration sur les embases de la raclette.

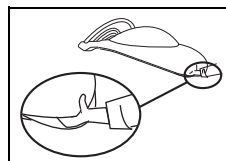
## Remplir le réservoir d'eau propre

#### **⚠ Attention:**

**Température d'eau maximale autorisée 60 °C/ 140 °F.**

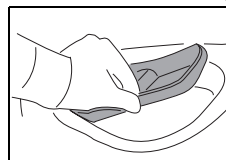
- Diversey recommande l'utilisation d'eau froide, car l'eau chaude adopte immédiatement la température du sol lors du contact avec le sol et n'apporte donc aucun avantage.

- La machine doit être coupée (interrupteur principal).



- Saisissez l'ouverture entre le couvercle du réservoir et le réservoir.  
*Paume vers le haut.*

- Ouvrez le couvercle du réservoir jusqu'à ce que la béquille s'accroche sur la paroi du réservoir.



- Retirez le dispositif de dosage.

- Remplissez le réservoir d'eau propre.

*Niveau de remplissage maximal autorisé (page 36).*

- Basculez à nouveau le couvercle du réservoir dans la position d'origine et appuyez-le vers le bas jusqu'à l'arrêt.

## Dosage

#### **⚠ Avertissement:**

**Lors de la manipulation de produits chimiques, portez des gants de protection, des lunettes de protection et des vêtements de travail (de protection) correspondants !**

#### **STOP Danger:**

**Utilisez uniquement des produits chimiques recommandés par Diversey et respectez impérativement les informations sur le produit.**

*L'utilisation de produits inappropriés (notamment de produits contenant du chlore, de l'acide ou un solvant) peut entraîner des troubles de la santé ainsi que des dommages importants sur la machine.*

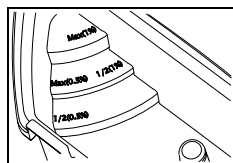
### **i** Remarque:

Pour un dosage précis, utilisez l'échelle du verre doseur.

- Le marquage du niveau de remplissage sur le réservoir correspond à celui du verre doseur. Le type de la machine est également indiqué sur le verre doseur !

Indication sur l'emballage du produit	Capacité du réservoir	Verre doseur
0,5%	1/2	1 x 1/2
	MAX	1 x MAX
1%	1/2	1 x MAX (2 x 1/2)
	MAX	2 x MAX

### Utilisation du verre doseur



- Versez le produit mesuré avec le verre doseur dans l'eau du réservoir d'eau propre.

- Soulevez légèrement le couvercle du réservoir.
- Appuyez légèrement la béquille du couvercle du réservoir vers l'intérieur.
- Fermez le couvercle du réservoir.
- Appuyez légèrement sur la partie avant du couvercle du réservoir pour verrouiller le réservoir.

### **i** Remarque:

En option, TASKI offre un dosage automatique. Celui-ci peut être monté ultérieurement.

- Veuillez vous adresser à votre conseiller clientèle

### Avant le nettoyage

#### **⚠** Avertissement:

Retirez les éventuels objets (pièces en bois, en métal, etc.) de la surface de nettoyage.

Les outils pourraient être endommagés, projetés par la rotation d'objets et ainsi blesser des personnes ou causer des dommages matériels.

### Démarrer les opérations

#### **⚠** Avertissement:

Lorsque vous travaillez avec cette machine, portez toujours des chaussures antidérapantes et des vêtements de travail appropriés !

### **i** Remarque:

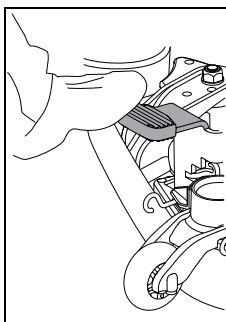
Gardez toujours les deux mains sur le volant / la poignée de conduite lorsque la machine est en marche pour une utilisation sûre.

#### **⚠** Avertissement:

Familiarisez-vous d'abord avec la machine en essayant de rouler dans un endroit vide !

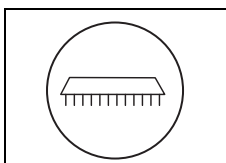
### **⚠** Avertissement:

S'il existe un risque de chute d'objets pendant l'utilisation de la machine, prendre ou respecter les mesures de protection nécessaires conformément aux prescriptions nationales.



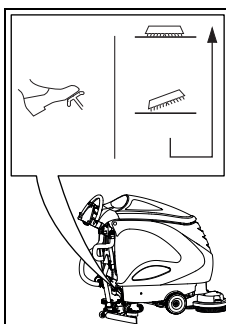
- Abaissez la raclette.

Variante : Unité de relevage des brosses automatique (option 1255B)



- Appuyez sur les clés d'entraînement des brosses MARCHE / ARRÊT.

Variante : Pédale

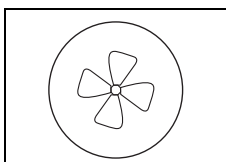


- Déverrouillez la pédale et abaissez lentement les brosses.

### Début du nettoyage

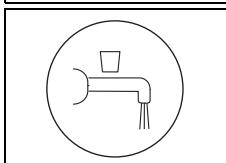
- Mettez la machine en marche.

Les indicateurs s'allument brièvement.



- Appuyez sur la clé de système d'aspiration MARCHE / ARRÊT.

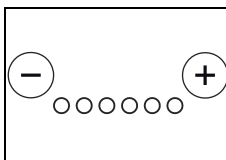
L'indicateur s'allume, le moteur d'aspiration démarre.



- Appuyez sur la clé d'alimentation en solution de nettoyage MARCHE / ARRÊT.

L'indicateur s'allume.

L'alimentation en solution de nettoyage se met en route quand les brosses tournent.

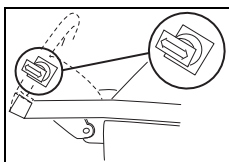


- Choisissez le dosage souhaité grâce aux touches +/- du niveau 1 - 6.

### **i** Remarque:

Diversey recommande de choisir le bon dosage de produit pour un travail durable.

Un surdosage ou sous-dosage entraîne des résultats de nettoyage peu satisfaisants.



- Appuyez doucement sur l'interrupteur de conduite dans le sens de la marche pour mettre la machine en mouvement.

## Coupage en cas de non utilisation

### **i** Remarque:

**En cas de non utilisation, la machine se coupe automatiquement après 5 minutes.**

Pendant ces 5 minutes :

- aucune manipulation des brosses ne doit avoir lieu.
- l'utilisateur ne doit pas s'éloigner de la zone visible de la machine.
- seule la raclette peut être nettoyée des objets aspirés ou coincés.
- l'utilisateur ne doit s'éloigner qu'en vue de libérer la zone de travail, et ce en maintenant un contact visuel avec la machine.

## Capacité de la batterie - fin de la préparation au fonctionnement

L'indicateur de batterie vous informe de la durée d'utilisation disponible.

- Quand l'indicateur rouge commence à clignoter, il reste environ 2 minutes d'utilisation.
- Pour les machines avec unité automatique de relevage des brosses, le moteur de brosse est coupé et l'unité de brosse est relevée.  
Pour les machines avec pédale, le moteur de brosse est coupé et l'unité de brosse reste au sol.
- L'indicateur rouge passe à une lumière permanente.
- Il vous reste encore 10 minutes pour conduire la machine à la station de charge. La machine s'arrête ensuite automatiquement.
- Pour recommencer à l'utiliser, il faut que la batterie soit complètement chargée.

## Méthode de nettoyage

### Méthode de travail directe :

Récurage et aspiration en une opération.

### Méthode de travail indirecte :

Mettre de la solution de nettoyage, récurer et aspirer en plusieurs fois.

### **i** Remarque:

**Dans le cas d'une combinaison spéciale de revêtement de sol / encrassement et de produit de nettoyage, la conduite de la machine peut parfois être gênée.**

- La traction de la machine sur le sol peut être améliorée grâce à des roues disponibles en option. Veuillez contacter votre conseiller TASKI.

## Remplissage de la solution de nettoyage

### **⚠** Avertissement:

**Le travail sans solution de nettoyage peut entraîner des dommages du revêtement.**

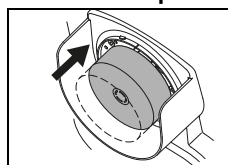
### **⚠** Attention:

**Un bruit provenant de la pompe indique que le réservoir d'eau propre est vide.**

- La pompe ne doit en aucun cas continuer à fonctionner à vide.
- La machine doit être coupée.
- Ouvrez le couvercle du réservoir.
- Remplissez le réservoir d'eau propre avec de l'eau, voir page 40.
- Ajoutez le produit de nettoyage à l'aide du verre doseur.
- Fermez le couvercle du réservoir.

## Vidangez l'eau de récupération

### Cuve de récupération pleine :

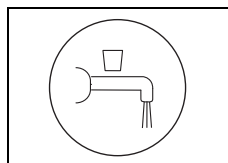


- Lorsque la cuve de récupération est pleine, le flotteur est aspiré dans le filtre d'aspiration.

*Le changement de bruit dû à l'augmentation du nombre de tour de l'aspiration ainsi que l'eau restée sur le sol l'indique.*

- Videz la cuve de récupération, voir page 43.

## Fin des opérations



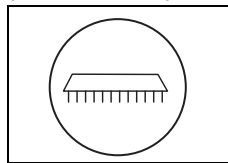
- Appuyez sur la clé de solution de nettoyage MARCHÉ / ARRÊT.

*L'alimentation en solution de nettoyage est arrêtée.*

- Avancez encore de quelques mètres afin que les accessoires continuent de tourner encore quelques instants, vous évitez ainsi un « égouttage résiduel ».

*Particulièrement important pour les pads de contact TASKI !*

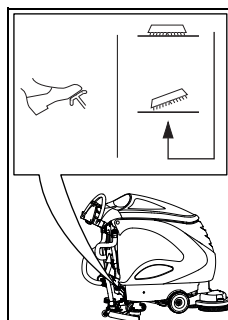
### Variante : Unité de relevage des brosses automatique (option 1255B)



- Appuyez sur les clés d'entraînement des brosses MARCHÉ / ARRÊT.  
*L'indicateur s'allume, l'unité de brosse est arrêtée et relevée.*

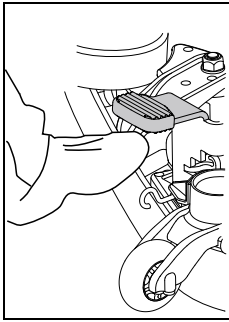
- Avancez encore de quelques mètres afin d'aspirer l'eau de récupération restante.

### Variante : Pédale

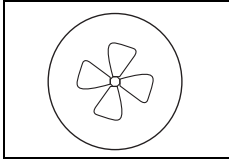


- Pour lever les brosses, appuyez la pédale vers le bas jusqu'à l'enclenchement.

- Avancez encore de quelques mètres afin d'aspirer l'eau de récupération restante.



- Soulevez la raclette.  
*Laissez le système d'aspiration tourner jusqu'à ce que l'eau de récupération résiduelle soit aspirée dans le tuyau.*



- Appuyez sur la clé de système d'aspiration MARCHE / ARRÊT.  
*L'indicateur s'allume, le moteur d'aspiration s'arrête.*

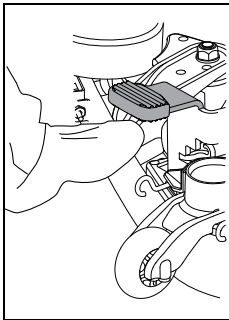
- Mettez la machine hors marche.

### **⚠ Attention:**

**Pour les étapes suivantes de purge et de nettoyage, la machine doit toujours être hors marche (interrupteur principal) et la prise de déconnexion de batterie doit être débranchée.**

### **Retirer et nettoyer la raclette**

- Retirez le flexible d'aspiration des embases de la raclette.
- Soulevez la raclette avec le pied.



- Pressez les ressorts de verrouillage. Cela ouvre la raclette et permet de la retirer du support.



- Nettoyez la raclette sous l'eau courante à l'aide d'une brosse.

### **i Remarque:**

**Seules des lames propres et intactes permettent d'obtenir un résultat optimal !**

### **Vider et nettoyer le réservoir d'eau propre et la cuve de récupération**

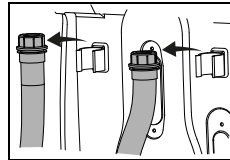
### **i Remarque:**

**L'évacuation de l'eau sale ou de la solution de nettoyage doit être effectuée conformément aux consignes nationales.**

### **i Remarque:**

**Assurez-vous de respecter les prescriptions concernant le port d'équipement de protection du fabricant de produits détergents lors de la vidange de la cuve de récupération.**

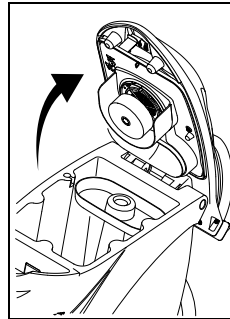
Procédez comme suit :



- Retirez le tuyau de vidange à eau propre du support.

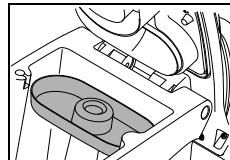
- Ouvrez le couvercle rouge ou bleu à hauteur de la poignée, abaissez lentement l'extrémité du tuyau et videz la cuve de récupération ou le réservoir d'eau propre.

### **Nettoyez la cuve de récupération et le réservoir d'eau propre**

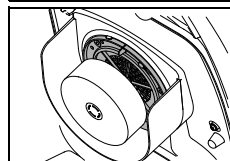


- Ouvrez le couvercle du réservoir jusqu'à ce que la béquille s'enclenche sur la paroi du réservoir.

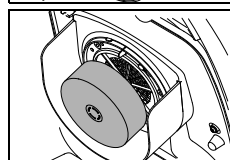
- Rincez le réservoir d'eau propre et la cuve de récupération rigoureusement avec de l'eau propre.



- Retirez le tamis à poussière (jaune), videz-le et rincez-le abondamment sous l'eau courante.



- Retirez le filtre d'aspiration (jaune) et éliminez la poussière avec un chiffon ou avec une brosse souple.



- Contrôlez le bon fonctionnement du flotteur.

- Après la vidange, revissez le couvercle rouge et le couvercle bleu et raccordez à nouveau le tuyau dans le support.

### **⚠ Attention:**

**Un filtre d'aspiration obstrué peut gêner la performance d'aspiration.**

- Remplacez le tamis à poussière (jaune) et le filtre d'aspiration.
- Remettez le tuyau de vidange dans le support.

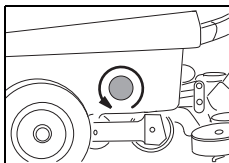
## Nettoyer le filtre du réservoir d'eau propre

### ⚠ Attention:

À la fin des opérations, nettoyez le filtre du réservoir d'eau propre.

Les filtres obstrués peuvent empêcher l'alimentation en solution de nettoyage et entraîner ainsi des dommages sur les sols.

- La machine doit être coupée (interrupteur principal).
- Dévissez le filtre et retirez-le.
- Rincez-le bien avec de l'eau propre.



### i Remarque:

Le filtre est plus bas que l'écoulement du réservoir. Le résidu de solution de nettoyage ne s'écoulera qu'après avoir dévissé le filtre.

- Remettez le filtre en place et fermez-le.

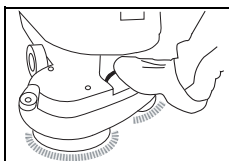
## Retirer et nettoyer la brosse

### i Remarque:

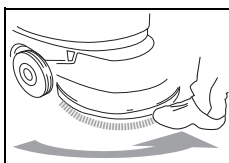
Nettoyez la brosse à chaque fois après la fin des travaux de nettoyage.

- La machine doit être coupée.

Variante : 955B / 1255B:



- Appuyez brièvement mais fermement avec le pied sur l'éjection des brosses.



- Éloignez la brosse de l'accouplement d'outil avec le pied dans le sens anti-horaire.

- Retirez les brosses et nettoyez-les sous l'eau courante.

## Nettoyer la machine

### ⚠ Attention:

Ne nettoyez jamais la machine avec un nettoyeur haute pression ou sous un jet d'eau.

Les pièces mécaniques ou électriques de la machine peuvent être gravement endommagées par la pénétration d'eau.

- Essayez la machine à l'aide d'un chiffon humide.

## Entreposage / stationnement de la machine (hors service)

### ⚠ Attention:

La machine doit être coupée (interrupteur principal) et la prise de déconnexion de batterie débranchée.

### i Remarque:

Entreposez la machine avec la raclette relevée, la brosse relevée et le couvercle du réservoir ouvert. Cela permet au réservoir de sécher. Ainsi, l'apparition de moisissures et d'odeurs désagréables peut être évitée.

### ⚠ Attention:

N'entrez jamais la machine avec une batterie déchargée.

Les batteries seraient sinon endommagées de façon irréparable.

## Service, maintenance et entretien

La maintenance de la machine est la condition pour un fonctionnement parfait et une longue durée de vie.

### ⚠ Attention:

N'utilisez que des pièces TASKI originales, sans quoi la garantie et les droits de réclamation sont annulés !

### i Remarque:

Afin d'exclure un fonctionnement accidentel de la machine, veillez toujours aux points suivants avant de débiter les travaux d'entretien :

- la machine doit être coupée,
- retirer la clé et

Explication des symboles :

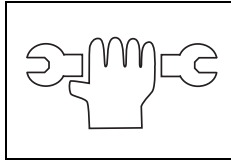
◇ = À chaque fin de nettoyage, ◇◇ = chaque semaine, ◇◇◇ = chaque mois, ⊗ = service de lampe

Activité	◇	◇◇	◇◇◇	⊗	Page
Charger les batteries	•				39
Remplir d'eau distillée (batteries liquides) Respectez le carnet de contrôle du fabricant de la batterie !		•			39
Vider et nettoyer le réservoir d'eau propre et la cuve de récupération	•				43
Nettoyer toutes les pièces marquées en jaune	•				
Nettoyer les brosses	•				44
Nettoyer la raclette, contrôler l'usure des lames et les remplacer éventuellement	•				43
Essuyer la machine avec un chiffon humide	•				44
Nettoyer le joint du couvercle du réservoir et contrôler la présence de fissures, le remplacer éventuellement	•				
Programme de maintenance / service par un technicien de service Diversey				•	



## Intervalle de maintenance

Les machines TASKI sont des machines de grande qualité dont la sécurité a été contrôlée à l'usine par des contrôleurs autorisés. Après une longue durée d'utilisation, les composants électriques et mécaniques sont soumis à l'usure et au vieillissement.



- Pour conserver la fiabilité et la disponibilité, un service d'entretien doit être effectué lorsque l'indicateur de maintenance s'allume (réglages par défaut 450 heures de travail) ou au moins une fois par an.

### **i** Remarque:

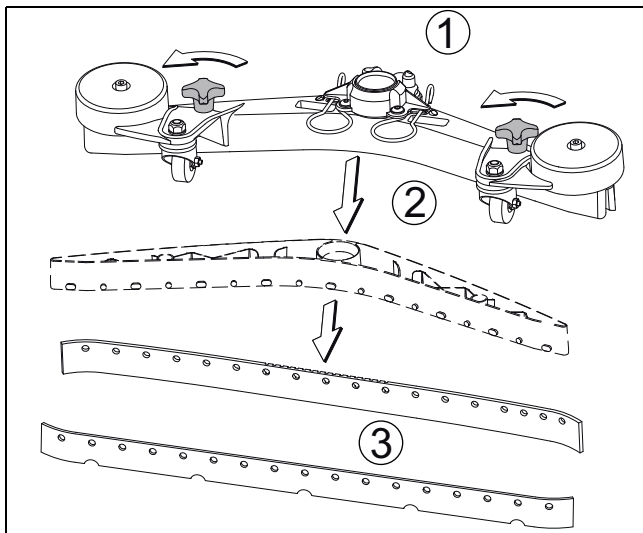
**Dans le cas d'une sollicitation extraordinaire et/ou une maintenance insuffisante, des intervalles plus courts sont possibles.**

## Service clientèle

Si vous nous contactez en raison d'un dysfonctionnement ou d'une commande, veuillez toujours mentionner la désignation de type et le numéro de la machine.

Ces informations se trouvent sur la plaque signalétique de votre machine. Vous trouverez l'adresse du partenaire de service TASKI le plus proche de chez vous à la dernière page des présentes instructions d'utilisation.

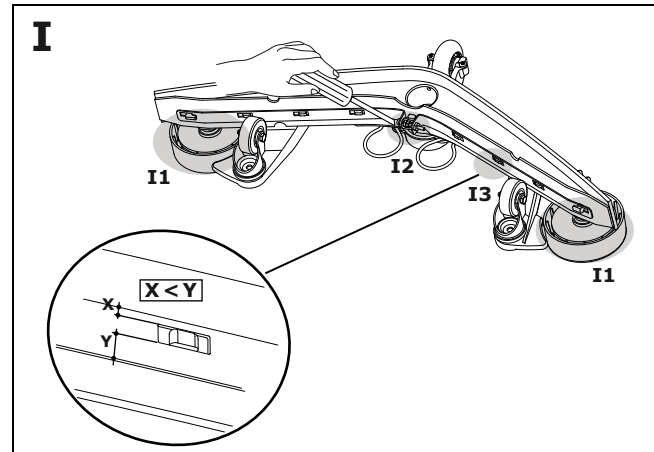
## Changement des lames Swingo 755B/855B



- Dévissez les poignées étoilées (1), retirez le corps des lames (2) du corps de la raclette et retirez les lames (3)
- Vous pouvez maintenant tourner ou changer les lames.
- Insérez à nouveau le corps des lames (2) dans le corps de la raclette et revissez les poignées étoilées (1).

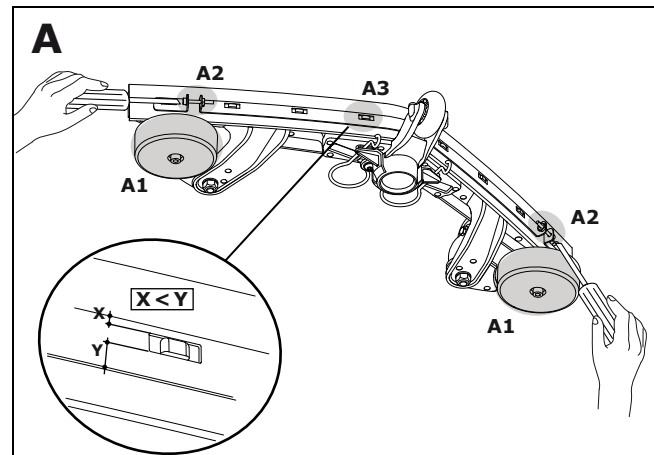
## Changement des lames Swingo 955B/1255B

Lame dans le rayon intérieur



- Placez le corps de la raclette propre avec les roulettes déflectrices vers le bas sur un support solide (table, sol, etc.). (Détail I1)
- Desserrez la vis (ne pas la retirer complètement) au centre du collier de serrage en 2 parties jusqu'à pouvoir retirer le collier de serrage. (Détail I2)
- Nettoyez le corps de la raclette, les lames et le collier de serrage sous l'eau courante avec une brosse.
- Montez la lame « retournée » ou neuve sur le corps de la raclette.
- Remplacez le collier de serrage dans la bonne position sur la lame (détail I3).
- Tendez le collier de serrage. (Détail I2)

Lame sur le rayon extérieur



- Placez le corps de la raclette propre avec les roulettes déflectrices vers le bas sur un support solide (table, sol, etc.). (Détail A1)
- Desserrez les vis (ne pas les retirer complètement) à gauche et à droite du collier de serrage en 3 parties jusqu'à pouvoir retirer le collier de serrage. (Détail A2)
- Nettoyez le corps de la raclette, les lames et le collier de serrage sous l'eau courante avec une brosse.
- Montez la lame « retournée » ou neuve sur le corps de la raclette.
- Remplacez le collier de serrage dans la bonne position sur la lame (détail A3).
- Tendez le collier de serrage. (Détail A2)



## Défauts

Défaut	Cause possible	Résolution du défaut	Page
Impossible de mettre la machine en marche	Machine arrêtée	<ul style="list-style-type: none"> <li>• Tourner la clé</li> </ul>	36
	Prise de déconnexion de batterie non raccordée	<ul style="list-style-type: none"> <li>• Raccordez la prise de déconnexion de batterie à la machine</li> </ul>	36
	Fusible principal défectueux	<ul style="list-style-type: none"> <li>• Contrôler / remplacer le fusible</li> <li>• Contacter le partenaire de service</li> </ul>	
	Système anti-démarrage activé ou problème du système de contrôle	<ul style="list-style-type: none"> <li>• Montez sur le tableau de marche</li> </ul>	
	Batterie déchargée ou chargeur défectueux	<ul style="list-style-type: none"> <li>• Charger la batterie</li> <li>• Contacter le partenaire de service</li> </ul>	40
	Batteries défectueuses	<ul style="list-style-type: none"> <li>• Contacter le partenaire de service</li> </ul>	
Impossible de couper l'unité de brosse ou le système d'aspiration	Problème dans l'électronique ou le panneau de commande	<ul style="list-style-type: none"> <li>• Couper la machine à l'aide de l'arrêt d'urgence</li> <li>• Contacter le partenaire de service</li> </ul>	35
La brosse ne tourne pas	Entraîneur de brosse coupé	<ul style="list-style-type: none"> <li>• Appuyer sur la clé de brosse</li> </ul>	36
	Fusible principal défectueux	<ul style="list-style-type: none"> <li>• Remplacer le fusible</li> </ul>	
	Le moteur tourne mais pas la brosse	<ul style="list-style-type: none"> <li>• Courroie d'entraînement déchirée</li> <li>• Contacter le partenaire de service</li> </ul>	
Mauvaise performance d'aspiration Le sol reste mouillé L'eau de récupération n'est pas aspirée	Système d'aspiration non allumé	<ul style="list-style-type: none"> <li>• Appuyer sur la clé de système d'aspiration</li> </ul>	36
	Flexible d'aspiration non enfiché	<ul style="list-style-type: none"> <li>• Enficher le flexible d'aspiration</li> </ul>	40
	La raclette n'est pas au sol	<ul style="list-style-type: none"> <li>• Contrôler le fonctionnement de la suspension à raclette</li> </ul>	40
	Lames usées	<ul style="list-style-type: none"> <li>• Remplacer les lames</li> </ul>	45
	Tuyau ou raclette obstrué(e) (par ex. bouts de bois, restes de tissu)	<ul style="list-style-type: none"> <li>• Retirer les corps étrangers</li> </ul>	
	Filtre d'aspiration obstrué	<ul style="list-style-type: none"> <li>• Retirer les corps étrangers</li> </ul>	36
	Indicateur de système d'aspiration allumé mais l'aspirateur ne fonctionne pas	<ul style="list-style-type: none"> <li>• Contrôler le fusible, le remplacer si nécessaire</li> <li>• Fusible en bon état, contactez votre partenaire de service</li> </ul>	40
Le système d'aspiration se coupe	Cuve de récupération pleine	<ul style="list-style-type: none"> <li>• Vider la cuve de récupération</li> <li>• Contrôlez la surveillance de batterie</li> <li>• Contrôlez les fusibles</li> </ul>	42
	Cuve de récupération encrassée	<ul style="list-style-type: none"> <li>• Contrôler ou nettoyer éventuellement.</li> </ul>	43
Sortie de solution de nettoyage insuffisante	Réservoir de solution de nettoyage vide	<ul style="list-style-type: none"> <li>• Contrôler le réservoir de solution de nettoyage</li> </ul>	42
	Réglage de la solution de nettoyage trop bas	<ul style="list-style-type: none"> <li>• Régler la quantité de solution de nettoyage à l'aide de la clé +/-</li> </ul>	36
	Clé de solution de nettoyage coupée	<ul style="list-style-type: none"> <li>• Appuyer sur la clé de solution de nettoyage</li> </ul>	36

## Données techniques

Machine	755B	855B	955B	1255B	
Largeur de travail	43	50	55		cm
Largeur de la raclette	69		80		cm
Dimensions (L x P x H)	116x48x120	122x53x120	118x58x117	142x58x117	cm
Poids maximal de la machine prête au fonctionnement	160		179	260	kg
Tension nominale	24V				CC
Puissance nominale	900		1000		W
Réservoir d'eau propre nominal +/- 5%	40			60	l

Valeurs déterminées selon CEI 60335-2-72	755B	855B	955B	1255B	
Poids avec batteries (transport)	120		139	200	kg
Poids avec batteries 50Ah (transport)	106		125	--	kg
Poids avec batteries 100Ah (transport)	99		118	169	kg
Niveau de pression acoustique LpA	68	68	64	61	dB(A)
Incertitude KpA	2.5				dB(A)
Valeur de vibration totale	< 2,5				m/s <sup>2</sup>
Incertitude K	0,25				m/s <sup>2</sup>
Protection anti-éclaboussures	IPX3				
Classe de protection	III				

## Accessoires

N°	Article	755B	855B	955B	1255B
7510829	Disque entraîneur 43 cm	1x			
8504750	Brosse à récurer nylon 43 cm	1x			
8504780	Brosse à récurer abrasive 43 cm	1x			
8504800	Brosse à récurer béton lavé 43 cm	1x			
7510830	Disque entraîneur 50 cm		1x		
8504770	Brosse à récurer nylon 50 cm		1x		
8505130	Brosse à récurer nylon abrasive 50 cm		1x		
8505120	Brosse à récurer béton lavé 50 cm		1x		
7510634	Disque entraîneur 28 cm			2x	2x
7519395	Brosse à récurer 28 cm			2x	2x
7510632	Brosse à récurer béton lavé 28 cm			2x	2x
7510633	Brosse à récurer abrasive 28 cm			2x	2x
8502830	Tuyau de remplissage avec NC universel	x	x	x	x
7517125	Kit IntelliDose	x	x	x	x
	IntelliTrail	x	x	x	x
	Ensemble batterie liquide	x	x	x	x
	Différents pads (polyester marron, bleu, rouge et pad de contact)	x	x	x	x

## Transport

### **Avertissement:**

Cette machine ne doit être soulevée qu'avec un outil approprié (par exemple une plateforme de levage, rampe d'accès, etc.) !

### **Attention:**

La prise de déconnexion de batterie doit être débranchée pour le transport.

### **Remarque:**

Transportez la machine debout.

### **Remarque:**

Assurez-vous que la machine soit bien attachée et sécurisée dans le véhicule de transport.

## Mise au rebut

### **Remarque:**

Après leur retrait progressif, la machine et les accessoires doivent être remis à un centre d'élimination approprié conformément aux prescriptions nationales.

- Votre partenaire de service Diverssey peut vous aider.

## Batteries

### **Avertissement:**

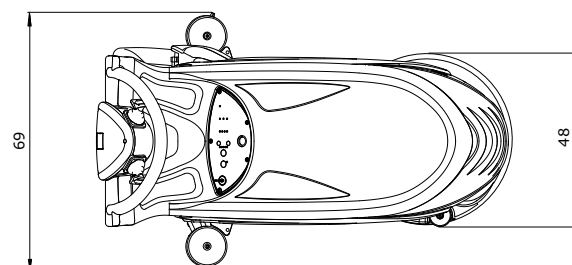
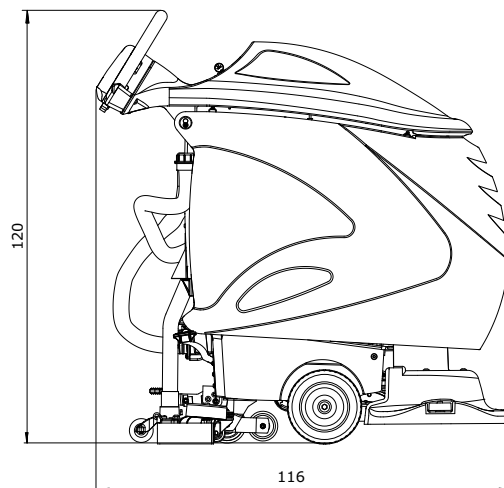
Les batteries doivent être retirées de la machine avant que celle-ci ne soit amenée à un centre d'élimination.

*Les batteries usagées doivent être recyclées conformément à la directive européenne 2006/66/CE ou des directives nationales correspondantes.*

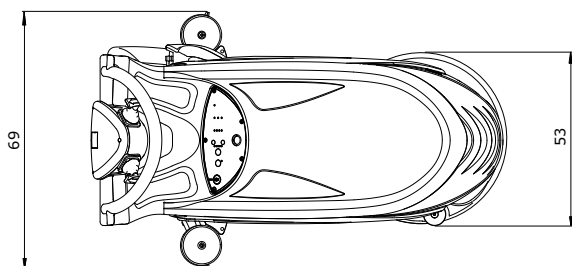
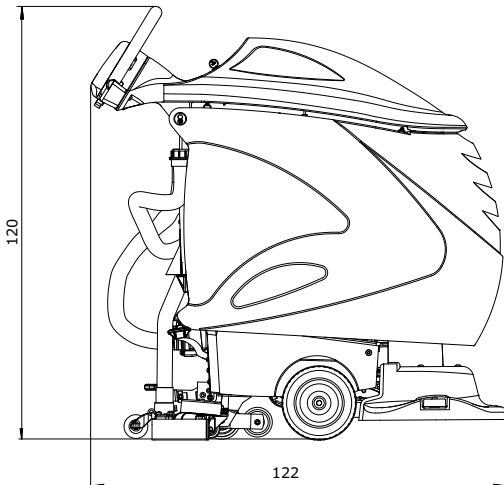
## Dimensions de la machine

Les dimensions sont indiquées en centimètres !

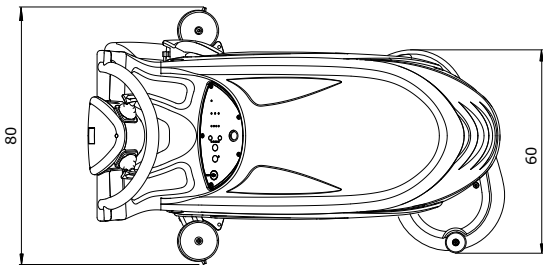
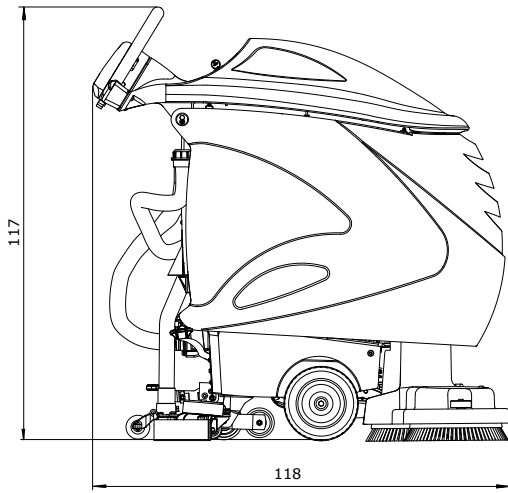
### swingo 755B



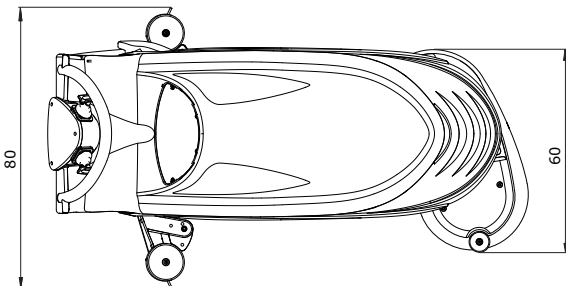
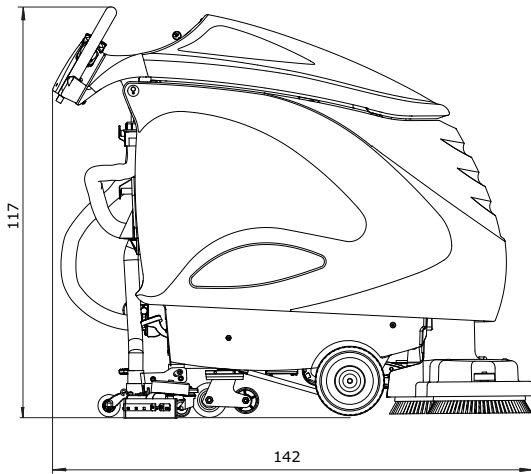
### swingo 855B



**swingo 955B**



**swingo 1255B**



## PT Tradução das instruções de utilização originais



Antes da primeira colocação em funcionamento, é obrigatório ler as instruções de utilização e as instruções de segurança. Guarde cuidadosamente as instruções de utilização e mantenha-as acessíveis para poderem ser consultadas a qualquer momento.

### Explicações dos símbolos

#### **STOP PERIGO:**

**Este símbolo alerta para informações importantes. A não observância destas indicações pode representar perigo para pessoas e/ou provocar danos materiais consideráveis!**

#### **⚠ ATENÇÃO:**

**Este símbolo alerta para informações importantes. A não observância destas indicações pode representar perigo para pessoas e/ou provocar danos materiais consideráveis!**

#### **⚠ CUIDADO:**

**Este símbolo alerta para informações importantes. A não observância destas indicações pode provocar avarias e danos materiais!**

#### **i INDICAÇÃO**

**Este símbolo alerta para informações importantes associadas à utilização eficiente do produto. A não observância destas indicações pode provocar avarias!**

### Índice

Instruções de segurança	50
Produtos de limpeza	51
Documentação alargada	51
Proteção ambiental	52
Vista da estrutura	52
Baterias	53
Antes da colocação em funcionamento	56
Início de trabalho	57
Fim da operação	58
Assistência técnica, manutenção e cuidado	60
Avarias	62
Dados técnicos	63
Acessórios	63
Transporte	64
Eliminação	64
Dimensões da máquina	64

### Utilização adequada de máquinas

As máquinas destinam-se ao uso comercial (por ex. hotéis, escolas, hospitais, fábricas, centros comerciais, pavilhões desportivos, escritórios etc.).

Estas destinam-se à limpeza a húmido de revestimentos de pavimentos duros, no estrito cumprimento das instruções de utilização. Estas máquinas foram concebidas exclusivamente para serem usadas em áreas interiores.

#### **⚠ CUIDADO:**

**A máquina não pode ser utilizada para polir, encerrar, limpar tapetes e aspirar o pó. Da utilização desta máquina na limpeza a húmido de soalhos e pavimentos flutuantes não advêm quaisquer riscos.**

#### **STOP PERIGO:**

**As modificações na máquina não autorizadas pela Diversey conduzem à perda de validade dos indicadores de segurança e da conformidade CE. Uma utilização da máquina contrária à utilização adequada de máquinas pode causar danos pessoais, na máquina e no ambiente de trabalho. Nestes casos quaisquer direitos de garantia e a indemnização perdem a validade.**

### Instruções de segurança

As máquinas TASKI foram projetadas e construídas de acordo com os requisitos legais básicos aplicáveis de segurança e proteção da saúde pelas diretivas CE e, por isso, exibem a marcação CE.

#### **STOP PERIGO:**

**A máquina só pode ser utilizada por pessoas que tenham recebido formação adequada sobre a utilização ou tenham comprovado as suas capacidades na sua operação e tenham sido expressamente autorizadas para o seu uso.**

#### **STOP PERIGO:**

**A máquina não pode ser utilizada por pessoas com capacidades físicas, sensoriais ou mentais limitadas, incluindo crianças, ou sem experiência e conhecimentos.**

*As crianças devem ser vigiadas de modo a garantir que não brincam com a máquina.*

#### **STOP PERIGO:**

**A máquina não pode ser utilizada em áreas onde se encontrem armazenados ou sejam processados materiais explosivos ou facilmente inflamáveis (por ex. benzina, solventes, fuelóleo, poeiras).**

*Os componentes elétricos ou mecânicos poderão causar a ignição destes materiais.*

#### **STOP PERIGO:**

**A máquina não pode ser utilizada para aspirar materiais tóxicos, prejudiciais para a saúde, corrosivos ou que causem irritação (por ex. pós perigosos, etc.) ou líquidos inflamáveis. O sistema de filtragem não bloqueia eficazmente este tipo de materiais.**

*Não podem ser excluídos possíveis danos para a saúde do utilizador e de terceiros.*

#### **STOP PERIGO:**

**Tenha em atenção as condições específicas do local, em especial a presença de terceiros e de crianças! Deve, por ex., dar especial atenção ao modo de reduzir a velocidade ao aproximar-se de zonas irregulares, por ex. portas ou curvas.**

#### **STOP PERIGO:**

**Não podem ser transportadas pessoas nem objetos nesta máquina.**

**STOP PERIGO:**

No caso de ocorrência de uma anomalia, um defeito ou após uma colisão ou uma queda, a máquina deve ser inspecionada por um técnico especializado autorizado antes de voltar a ser colocada em funcionamento. O mesmo é válido para os casos em que a máquina é deixada ao ar livre, mergulhada em água ou exposta a humidade.

**STOP PERIGO:**

Se forem causados danos em peças relevantes ao nível da segurança, por ex. na proteção da escova, cabo principal ou tampas de acesso a peças condutoras de energia, o funcionamento da máquina deve ser imediatamente interrompido!

**STOP PERIGO:**

A máquina não pode ser imobilizada, estacionada ou armazenada em superfícies inclinadas.

**STOP PERIGO:**

A máquina tem de estar desligada e a chave retirada antes da realização de qualquer trabalho na máquina.

**STOP PERIGO:**

A máquina não pode ser utilizada em inclinações <2%. Os declives têm de ser percorridos em marcha lenta e utilizando o "turtle-mode", por forma a garantir uma paragem segura. Uma condução agressiva sobre inclinações pode limitar a estabilidade da máquina e é, por isso, proibida. Existe o perigo de acidente.

**STOP PERIGO:**

A máquina só pode ser utilizada sobre em superfícies fixas, estáveis e com capacidade suficiente. *Em caso de inobservância existe o perigo de acidente.*

**ATENÇÃO:**

A máquina deve ser operada e armazenada apenas em ambientes secos, sem pó, com temperaturas de +10 °C/+ 50 °F a + 35 °C/+ 95 °F.

**ATENÇÃO:**

A execução dos trabalhos de reparação nas peças mecânicas ou elétricas da máquina é da exclusiva responsabilidade do pessoal técnico autorizado, familiarizado com as diretivas relevantes em matéria de segurança.

**ATENÇÃO:**

Só podem ser utilizadas ferramentas (escovas, blocos ou semelhantes) que se encontrem especificadas como acessórios nas instruções de utilização ou que sejam recomendadas pela TASKI. As outras ferramentas podem comprometer a segurança e o funcionamento da máquina.

**ATENÇÃO:**

As diretivas nacionais sobre proteção de pessoal e prevenção de acidentes como também as indicações do fabricante sobre a utilização de produtos de limpeza têm de ser observadas de forma consistente.

**CUIDADO:**

Desligar a unidade de sucção imediatamente após o surgimento de espuma ou de líquidos da máquina!

**CUIDADO:**

Esta máquina destina-se exclusivamente a ser operada com bateria adequada e carregador testado.

**CUIDADO:**

A máquina tem de ser protegida contra uma utilização não autorizada. Por isso, retire sempre a chave antes de se afastar da máquina; ou guarde-a numa sala trancada.

**i INDICAÇÃO**

As máquinas e aparelhos TASKI foram construídos com tecnologia de ponta que permite anular os efeitos nocivos para a saúde das emissões de ruído ou das vibrações. Ver informações técnicas na página 63.

**Produtos de limpeza****i INDICAÇÃO**

As máquinas da TASKI são concebidas para poder alcançar os melhores resultados de limpeza com os produtos de limpeza TASKI. Os outros produtos de limpeza podem provocar avarias e danos na máquina ou no ambiente de trabalho. Por esta razão recomendamos que sejam usados exclusivamente produtos de limpeza TASKI.

*As avarias provocadas pela utilização de produtos de limpeza inapropriados não são cobertas pela garantia.*

- Para mais informações contacte o seu representante da assistência técnica da TASKI.

**Documentação alargada****i INDICAÇÃO**

Pode consultar o esquema elétrico desta máquina na lista de sobressalentes.

- Para mais informações contacte o seu serviço de apoio ao cliente.

**i INDICAÇÃO**

Estas instruções de utilização, assim como todas as instruções de utilização para máquinas TASKI, encontram-se disponíveis no seguinte website:

[www.taski.com](http://www.taski.com)



## Proteção ambiental

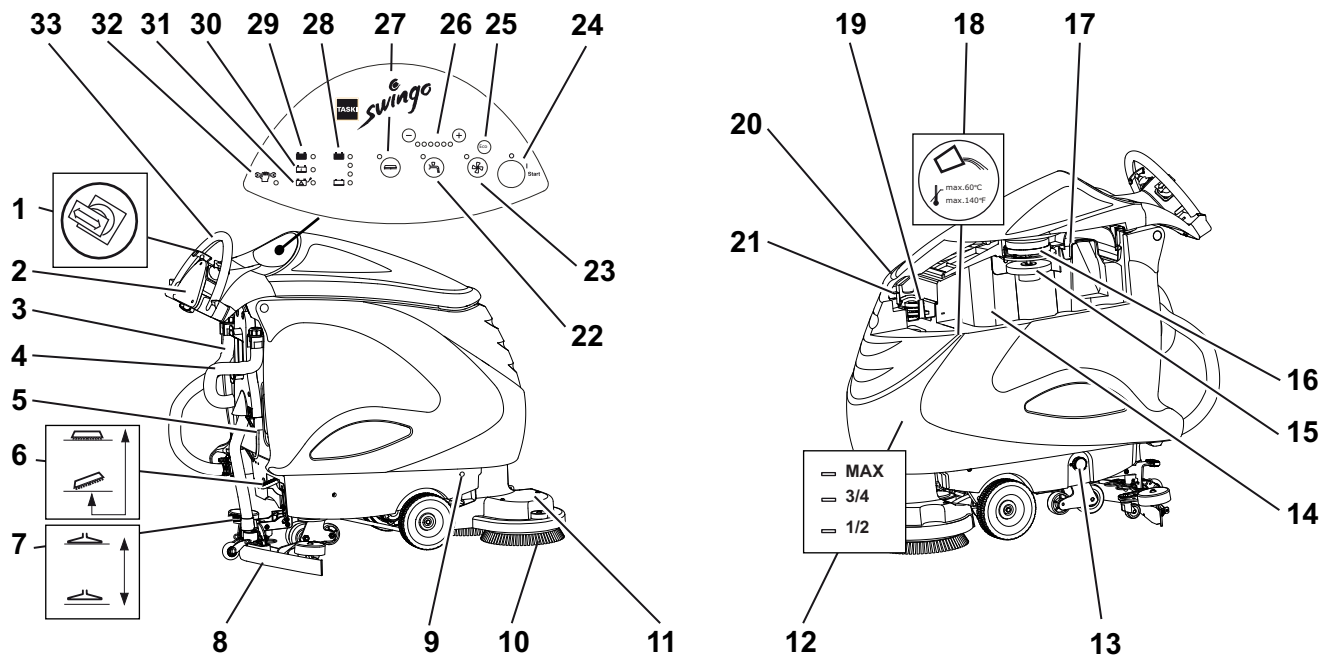


Os materiais de embalagem são recicláveis. Por favor, não deite as embalagens no lixo doméstico, entregue-as para reciclagem.



Os aparelhos antigos contêm materiais recicláveis valiosos que deveriam ser entregues para reciclagem. Baterias, óleo e substâncias semelhantes não devem entrar em contacto com o meio-ambiente. Por isso, entregue os aparelhos antigos a um centro de recolha adequado.

## Vista da estrutura



- 1 Comutador de controlo
- 2 Contador horário (opcional)
- 3 Mangueira de drenagem da solução de limpeza (tampa azul)
- 4 Mangueira de drenagem da água suja (tampa vermelha)
- 5 Tomada para desligar bateria (codificação)
- 6 Variante: Pedal da ferramenta
- 7 Pedal do rodo
- 8 Rodo
- 9 Opcional: Cadeado do compartimento da bateria
- 10 Ferramenta (escovas, discos, etc.)
- 11 Conjunto de instrumentos
- 12 Indicador do nível de enchimento
- 13 Filtro do tanque de água limpa
- 14 Depósito de água residual
- 15 Boia (proteção contra transbordo do tanque de recuperação)
- 16 Filtro de aspiração
- 17 Filtro de sujidade
- 18 Depósito de água limpa
- 19 Doseador auxiliar
- 20 Tampa do tanque
- 21 Desengate da tampa do tanque
- 22 Botão da alimentação da solução de limpeza LIG / DESLIG
- 23 Botão da unidade de sucção LIG / DESLIG
- 24 Interruptor de chave
- 25 Botão modo ECO LIG / DESLIG
- 26 Chaves de segurança da quantidade (+ / -) de alimentação da solução de limpeza
- 27 Botão acionamento da ferramenta LIG / DESLIG (apenas no 1255B EBU)
- 28 Medidor de nível de carga da bateria
- 29 Indicador de bateria está carregada
- 30 Indicador de bateria é carregada
- 31 Indicador de avaria da bateria/fonte de alimentação
- 32 Indicador de assistência técnica
- 33 Volante

## Baterias

### Baterias permitidas

Para a operação desta máquina são necessárias baterias de tração (nenhumas baterias inundadas, de arranque ou baterias do aparelho). Recomendamos baterias de tração novas. Apenas estas garantem uma durabilidade longa.

As baterias de tração são produzidas como baterias fechadas ou como baterias isentas de manutenção (VRLA), (Gel, AGM, Pure-Lead, lítio). A máquina tem de ser ajustada para cada tipo de modelo e vários fabricantes.

Cada bateria oferece uma duração de utilização diferente e diferentes características de potência.

A programação da máquina e do carregador tem de ser feita após a montagem das baterias ou durante a mudança do tipo de bateria e/ou de fornecedor e antes da colocação em funcionamento.

A configuração com erros pode provocar o desgaste prematuro das baterias.

### **i** INDICAÇÃO

**Não devem ser utilizadas baterias diferentes, novas e velhas juntamente ou com defeito.**

### **i** INDICAÇÃO

**As baterias velhas ou com defeito devem ser eliminadas de forma adequada. Ver informações na página 64**

### Medidas de segurança no contacto com as baterias



As baterias contêm ácidos. Durante a manutenção, aquando a montagem e desmontagem do conjunto de bateria com manutenção, têm de ser utilizados óculos de proteção!



Enxaguar ou lavar o ácido projetado dos olhos ou das mãos com muita água corrente. Em seguida, consultar imediatamente um médico. Lavar a roupa com água!



Durante o carregamento das baterias produz-se uma mistura gasosa perigosa. Não manter chamas ou corpos incandescentes nas proximidades!



Não fumar!



Perigo de corrosão!



Cuidado! Os polos das baterias estão sempre sob tensão, por isso, não devem ser colocados objetos sobre as baterias!

### **⚠** CUIDADO:

**Manter a bateria limpa e seca. Limpar de imediato os ácidos ou água de fuga.**

- No processo, utilizar luvas de proteção.

### **⚠** CUIDADO:

**As baterias só podem ser montadas por serviços de apoio ao cliente da Diversey ou por pessoal por ela autorizado e instaladas em conformidade com os esquemas de ligação.**

*Os erros ocorridos durante a montagem ou ligação podem causar ferimentos graves, provocar uma explosão e graves danos na máquina e no ambiente.*

### **⚠** CUIDADO:

**Durante a recarga das baterias deve ser garantida uma ventilação suficiente.**

### **i** INDICAÇÃO

**Tenha adicionalmente em atenção a ficha de segurança do produto do fabricante da bateria.**

### **i** INDICAÇÃO

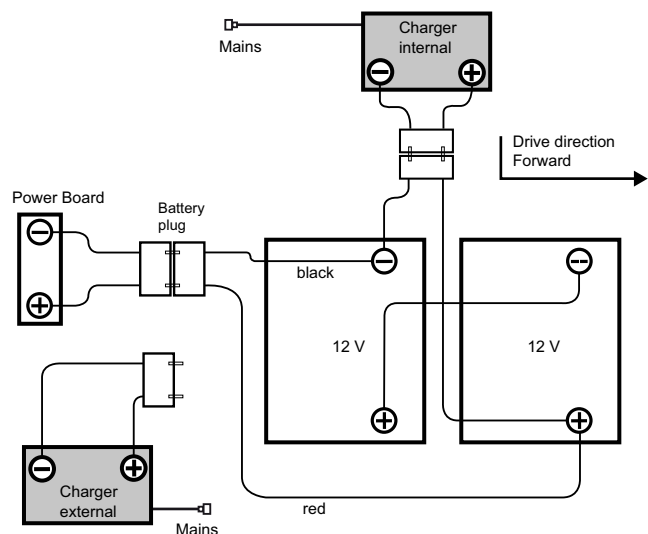
**Tenha em atenção as instruções de serviço do fabricante da bateria.**

### **⚠** CUIDADO:

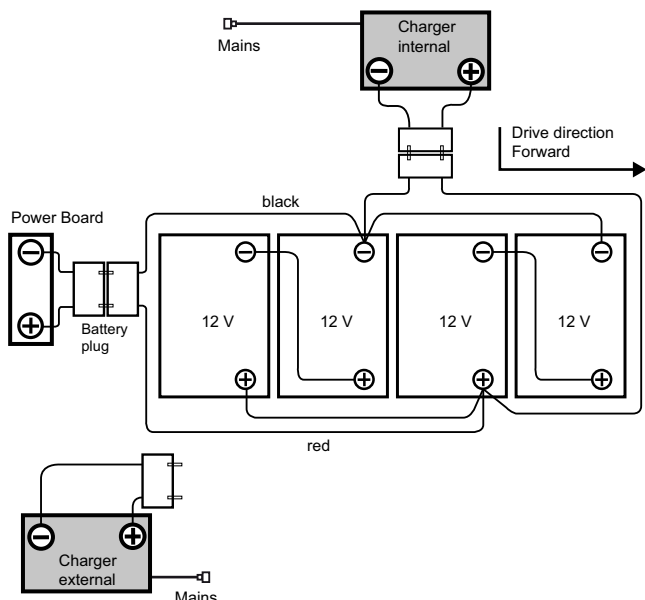
**Durante a manutenção as baterias têm de ser desligadas da máquina!**

### Esquema de ligação da bateria

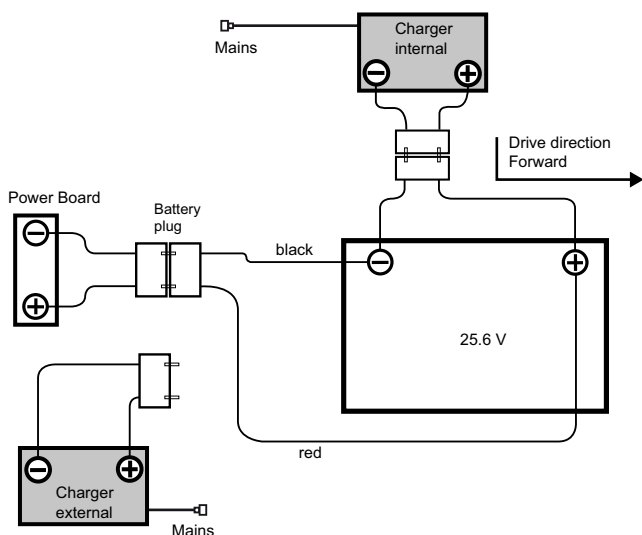
#### swingo 755B/855B/955B Power (Gel)



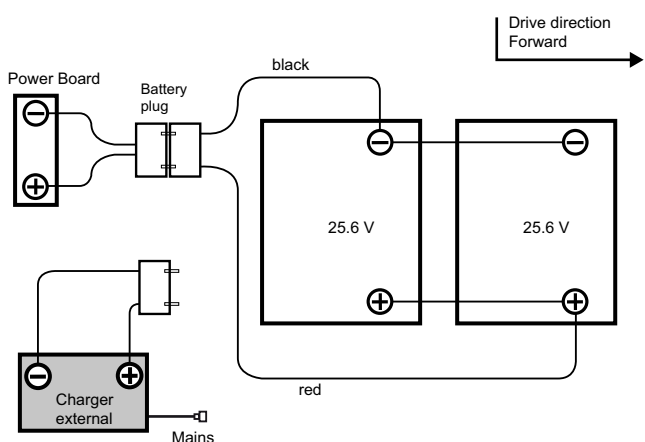
## swingo 1255B Power (Gel)



## swingo 755B/855B/955B Power (Lithium 50Ah)



## swingo 755B/855B/955B/1255B Power (Lithium 100Ah)



## Em caso de emergência

**STOP PERIGO:**

Em caso de emergência (comportamento não apropriado da máquina) deve ser removida a tomada para desligar bateria.

## Processo de carga

**⚠ CUIDADO:**

Respeite as instruções de utilização do fabricante do carregador da bateria externo.

**⚠ CUIDADO:**

Cada tipo de bateria e/ou fabricante de bateria requer características de carga distintas.

A falta de correspondência com as características de carga ou a utilização de um carregador não apropriado produz o desgaste prematuro ou a destruição mais rápida das baterias.

**i INDICAÇÃO**

Os carregadores Onboard, disponibilizados como opção, podem ser adaptados aos tamanhos da bateria e apresentam várias curvas de carga as quais podem ser ajustadas de fábrica ou por técnico da assistência TASKI às baterias recomendadas. Esta instrução é igualmente válida para a utilização de carregadores estacionários (externos).

**⚠ CUIDADO:**

As aplicações curtas permanentes, com recarregamento adjacente, podem danificar as baterias de forma permanente.

- Valor indicativo: Antes de recarregar deve ter havido uma utilização mínima de aprox. 20% da capacidade disponível.

**⚠ CUIDADO:**

Para alcançar a máxima duração possível, as baterias de tração têm de executar um ciclo de carga completo (12-16 horas) 2x por semana.

**⚠ CUIDADO:**

Antes de um longo período de imobilização da máquina, as baterias terão de ser recarregadas por completo. O carregador é, em seguida, desligado da máquina ou da corrente. As baterias descarregam com o tempo. Dependendo do tipo de bateria, estas deverão ser recarregadas após 3 - 6 meses.

- Antes de voltar a colocar em funcionamento, as baterias recarregadas deverão passar por um ciclo de carga completo.

**⚠ CUIDADO:**

Retire a tomada para desligar a bateria para desligar a máquina por um período mais prolongado.

## Processo de carga com um carregador externo

### **i** INDICAÇÃO

Devem ser utilizados apenas carregadores recomendados pelo fabricante de baterias e certificados pela SELV (segurança de tensão extrabaixa).

### **STOP** PERIGO:

**Não ligue o carregador à máquina se o mesmo se encontrar sob tensão (carregador ligado).**

*O utilizador poderia sofrer ferimentos devido a choques elétricos.*

### **⚠** ATENÇÃO:

O cabo do carregador difunde correntes altas. Se forem detetados danos na tomada, cabo ou na ligação do aparelho, o carregador não deverá ser utilizado.

- Ligue o carregador da bateria externo com a tomada do carregador da bateria da máquina.

### **i** INDICAÇÃO

Certifique-se de que a tomada está inserida até à paragem do bloco para garantir um bom contacto elétrico.

### **i** INDICAÇÃO

Verifique se o carregador conectado iniciou o processo de carga.

### **i** INDICAÇÃO

Durante um processo de carga todas as funções da máquina são desativadas.

## Processo de carga com carregador (opcional) Onboard

### **⚠** CUIDADO:

A máquina tem de ser desligada (interruptor principal) e a tomada para desligar bateria deve ser retirada.

- Pegue no cabo principal e ligue-o a uma tomada (com fusível de ação retardada).

## Terminado o processo de carga

### **⚠** ATENÇÃO:

**Desligue o carregador antes de desligar a ligação à bateria.**

*Ao desligar o carregador estando este ainda ligado pode ser provocada uma explosão no compartimento da bateria.*

- Guarde o cabo principal, no caso de carregador Onboard (opcional), no local previsto para o efeito.
- Mantenha o cabo do carregador seco e protegido de danos.

## Limpeza e cuidado das baterias abertas (inundadas)

### **i** INDICAÇÃO

Os cuidados a ter com as baterias isentas de manutenção limitam-se a respeitar as regras do carregamento correto e a curva de carga corretamente ajustada.

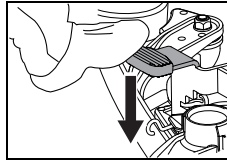
## Abrir o compartimento da bateria para a manutenção

- A máquina tem de estar desligada.

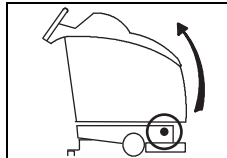
### **⚠** ATENÇÃO:

**Antes da abertura do compartimento da bateria, deve ser assegurado que ambas as áreas do tanque estão vazias.**

- Desligue a ligação Bateria-Máquina na tomada para desligar bateria.

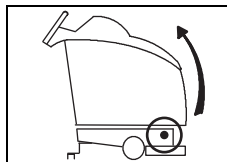


- Baixe o rodo.

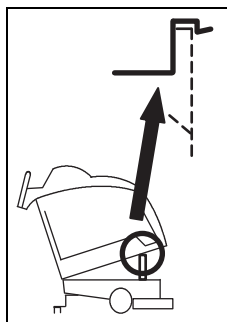


- Encontra o desengate para o compartimento da bateria, em baixo à esquerda e à direita na parte da frente da máquina.
- Desaparafuse ambos os parafusos e remova estes.

Variante: Máquina com conjunto de bateria com manutenção



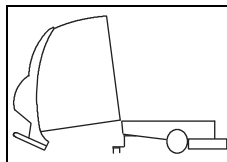
- Encontra o desengate para o compartimento da bateria, em baixo à esquerda na parte da frente da máquina.
- Pressione o desengate (por ex. com uma chave de parafusos) na abertura prevista e levante o tanque, até que ele encaixe.



- Posição do tanque antes da mudança de posição.



- Coloque-se atrás da máquina.
- Abra com cuidado o compartimento da bateria até que o volante se detenha no chão.



- Abra com cuidado o compartimento da bateria até que o volante se detenha no chão.

### **⚠** ATENÇÃO:

**Após a conclusão da manutenção, incline o tanque com cuidado para a posição original e bloqueie o mesmo.**

### **i** INDICAÇÃO

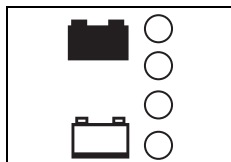
Levante novamente o rodo.

### **i** INDICAÇÃO

Ligue a Bateria-Máquina novamente na tomada para desligar bateria.

## Antes da colocação em funcionamento

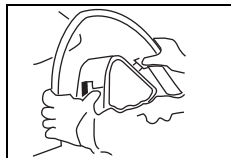
### Manobra de deslocamento



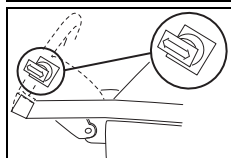
- Ligue a máquina (interruptor de chave).

*O indicador acende brevemente.*

*O indicador de bateria sinaliza a prontidão operacional da máquina. (em caso de anomalia consulte a página 62).*



- Agarre o volante e posicione a altura do comutador de controlo, de modo que possa trabalhar confortavelmente.



- Premindo suavemente o comutador de controlo no sentido do deslocamento, coloca a máquina em movimento, ao libertar o comutador de controlo a mesma para.

### Inserir ferramenta

Antes de colocar verificar:

- se a escova não excede a marcação vermelha (tufos da cerda) ou 1 cm do comprimento do tufo.
- se o bloco está gasto e limpo.

#### **⚠ CUIDADO:**

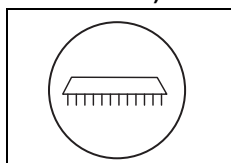
**Não utilizar escovas que já tenham atingido o limite de desgaste. Isto comprova-se pelo comprimento dos tufos da cerda vermelhos. Não utilizar blocos que estejam gastos ou sujos. Utilizar exclusivamente ferramentas originais da TASKI.**

*A não observância pode causar resultados insatisfatórios de limpeza até dano no pavimento.*

- Posicione a ferramenta por baixo da escova.
- Ligue a máquina.

*Os indicadores acendem brevemente.*

### Variante: Escova automática da unidade de redução (opcional 1255B)

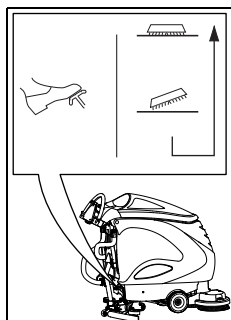


- Prima o botão do acionamento da ferramenta LIG / DESLIG.

*Durante a descida a escova da unidade começa a pulsar lentamente. Desta forma, a ferramenta é centrada e engatada.*

*O indicador acende.*

### Variante: Pedal



- Desbloqueie o pedal e desça a ferramenta lentamente.

*Durante a descida a escova da unidade começa a pulsar lentamente. Desta forma, a ferramenta é centrada e engatada.*

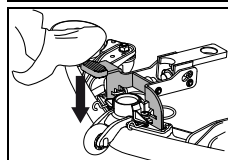
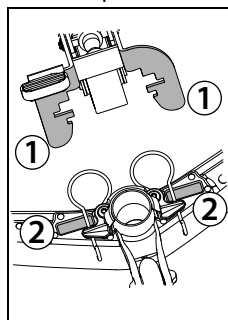
*O indicador do acionamento da ferramenta acende.*

#### **i INDICAÇÃO**

**Se a escova está para baixo, o engate pode ser facilitado movimentado ligeiramente a máquina para a frente e para trás.**

## Montar o rodo

- A máquina deve estar desligada (interruptor principal).
- Posicione o rodo (2) por baixo do suporte do bocal (1).



- Prima o pedal para baixo até que o suporte do bocal encaixe.
- Insira a mangueira de sucção nos adaptadores do bocal.

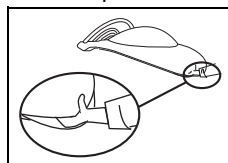
## Encher o tanque de água limpa

#### **⚠ CUIDADO:**

**Temperatura máxima da água permitida 60 °C/ 140 °F.**

- A Diversey recomenda a utilização de água fria visto que a água quente no contacto com o chão absorve de imediato a sua temperatura o que não traz nenhuma vantagem.

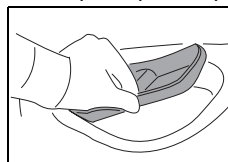
- A máquina deve estar desligada (interruptor principal).



- Agarre a abertura entre a tampa do tanque e o tanque.

*Palma da mão para cima.*

- Abra a tampa do tanque até que o suporte na parede do tanque fique suspenso.



- Remova o doseador auxiliar.

- Encha o tanque de água limpa com água.

*Nível máximo de enchimento permitido (página 52).*

- Vire novamente a tampa do tanque para a posição original e pressione-a para baixo até que bloqueie.

## Dosagem

#### **⚠ ATENÇÃO:**

**Quando lidar com produtos químicos tem de usar luvas de proteção, óculos de proteção e vestuário (de proteção) de trabalho adequado!**

#### **STOP PERIGO:**

**Utilize apenas produtos químicos recomendados pela Diversey e tenha em atenção a informação dos produtos.**

*A utilização de produtos inadequados (entre outros produtos contendo cloro, ácido ou solventes) pode representar perigo para a saúde, bem como danos significativos na máquina.*



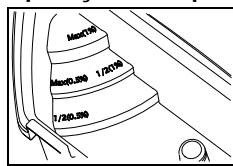
## **i** INDICAÇÃO

Para uma dosagem precisa, utilize a escala no copo doseador.

- A marcação do nível de enchimento no tanque corresponde à do copo doseador. O tipo de máquina também está mencionado no copo doseador!

Informação do acondicionamento do produto	Capacidade do tanque	Copo doseador
0.5%	1/2	1 x 1/2
	MAX	1 x MAX
1%	1/2	1 x MAX (2 x 1/2)
	MAX	2 x MAX

### Aplicação do copo doseador



- Coloque o produto medido com o copo doseador na água do tanque de água limpa.

- Levante ligeiramente a tampa do tanque.
- Pressione o suporte da tampa do tanque ligeiramente para dentro.
- Feche a tampa do tanque.
- Ao pressionar ligeiramente a parte mais frontal da tampa do tanque, bloqueia o tanque.

## **i** INDICAÇÃO

A TASKI disponibiliza opcionalmente uma dosagem automática. Esta pode ser instalada posteriormente.

- Contacte o seu gestor de conta no serviço de apoio ao cliente

### Pré-limpeza

## **⚠** ATENÇÃO:

Remova eventuais objetos (peças de madeira, de metal, etc.) da superfície de limpeza.

As ferramentas podem ficar danificadas e projetadas devido a objetos em rotação e causar danos em materiais e ferimentos em pessoas.

### Início de trabalho

## **⚠** ATENÇÃO:

Durante os trabalhos com esta máquina deve ser usado calçado antiderrapante e roupa de trabalho apropriada!

## **i** INDICAÇÃO

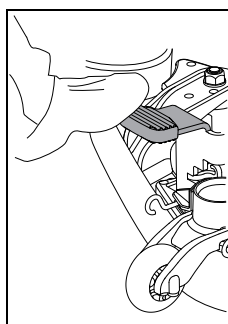
Trabalhe sempre com as duas mãos no volante/na alavanca de condução durante a operação da máquina, por forma a garantir uma operação segura.

## **⚠** ATENÇÃO:

Em primeiro lugar, familiarize-se com a máquina, realizando as primeiras tentativas de utilização num espaço aberto e desimpedido!

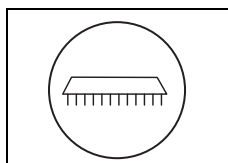
## **⚠** ATENÇÃO:

Se durante a utilização da máquina existir o perigo de queda de objetos, é necessário tomar ou respeitar as medidas de proteção necessárias de acordo com as disposições nacionais.



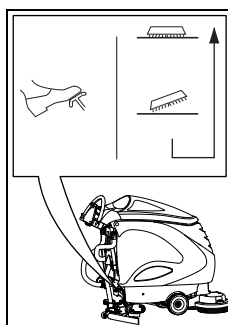
- Baixe o rodo.

Variante: Escova automática da unidade de redução (opcional 1255B)



- Prima o botão do acionamento da ferramenta LIG / DESLIG.

Variante: Pedal

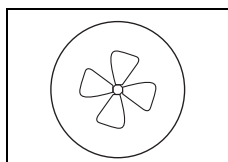


- Desbloqueie o pedal e desça a ferramenta lentamente.

### Início da limpeza

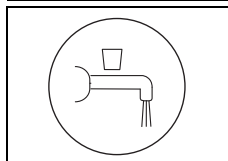
- Ligue a máquina.

Os indicadores acendem brevemente.



- Prima o botão Unidade de sucção LIG/DESLIG.

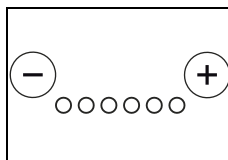
O indicador acende, o motor do aspirador arranca.



- Prima o botão Alimentação de Solução de limpeza LIGADO/DESLIGADO.

O indicador acende.

A alimentação da solução de limpeza é iniciada quando as ferramentas rodam.



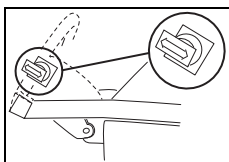
- Selecione a dosagem desejada premindo os botões +/- do nível 1 - 6.

## **i** INDICAÇÃO

A Diversey recomenda um trabalho sustentável através do apuramento da correta quantidade de dosagem de produto.

Uma dosagem insuficiente ou em excesso levará a resultados de limpeza insatisfatórios.





- Premindo suavemente o comutador de controlo no sentido do deslocamento coloca a máquina em movimento.

## Função de desativação durante inatividade

### **i** INDICAÇÃO

#### A máquina desliga automaticamente após 5 minutos quando não está em uso.

Durante estes 5 minutos:

- não pode, em circunstância alguma, manipular as escovas.
- o operador não deve afastar-se do campo de visão da máquina.
- o rodo só deve ser limpo de objetos aspirados ou bloqueados.
- o operador só pode afastar-se com o propósito de libertar a área de trabalho, mantendo o contacto visual.

## Capacidade da bateria - Fim do estado de prontidão operacional

O indicador de bateria informa sobre o tempo de trabalho disponível.

- Quando o indicador vermelho começa a piscar, restam ainda aprox. 2 minutos de tempo de trabalho.
- Nas máquinas com escova da unidade de redução automática, o motor da escova é desligado e o conjunto de instrumentos levantado.
- Nas máquinas com pedal, o motor da escova é desligado e o conjunto de instrumentos permanece no solo.
- O indicador vermelho alterna para luz permanente.
- Restam ainda mais 10 minutos até deslocar a máquina para a estação de carga. Depois a máquina desliga-se automaticamente.
- Para uma nova colocação em funcionamento, as baterias têm de ser carregadas por completo.

## Método de limpeza

### Método de trabalho direto:

Esfregar e aspirar num ciclo de trabalho.

### Método de trabalho indireto:

Injetar a solução de limpeza, esfregar e aspirar em vários ciclos de trabalho.

### **i** INDICAÇÃO

#### Em determinadas circunstâncias, com combinações especiais de revestimento do pavimento/sujidade e produto de limpeza pode ser afetada a guia da máquina.

- Através de rodas disponíveis como opção, é possível melhorar a tração da máquina sobre o pavimento. Contacte o seu consultor TASKI.

## Reabastecer solução de limpeza

### **⚠** ATENÇÃO:

Ao trabalhar sem solução de limpeza, podem ser causados danos no pavimento.

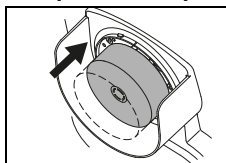
### **⚠** CUIDADO:

Um ruído de vibração da bomba indica que o tanque de água limpa está vazio.

- A bomba nunca pode trabalhar em seco durante um longo período.
- A máquina tem de estar desligada.
- Abra a tampa do tanque.
- Encha o tanque de água limpa com água, ver página 56.
- Adicione produto de limpeza usando o copo doseador.
- Feche a tampa do tanque.

## Esvaziar água suja

### Tanque de recuperação cheio:

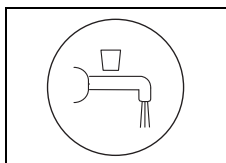


- Quando o tanque de recuperação estiver cheio, a boia no filtro de aspiração é aspirado.

*A alteração do som devido ao aumento da rotação do aspirador, bem como a permanência de água no solo alertam-no para tal.*

- Esvazie o tanque de recuperação, ver página 59.

## Fim da operação

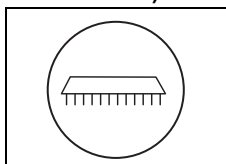


- Prima o botão Solução de limpeza LIG/DESLIG.
- A alimentação de solução de limpeza é parada.*

- Avance ainda alguns metros para que as ferramentas rodem durante um breve período impedindo um "Gotejamento".

*Isto é particularmente importante com blocos de contacto TASKI!*

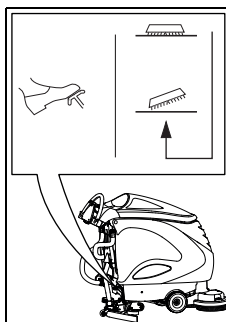
### Variante: Escova automática da unidade de redução (opcional 1255B)



- Prima o botão do acionamento da ferramenta LIG / DESLIG.
- O indicador acende, a escova é travada e levantada.*

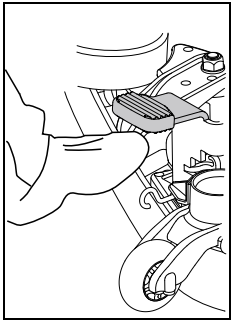
- Avance alguns metros mais para poder aspirar a água suja residual.

### Variante: Pedal

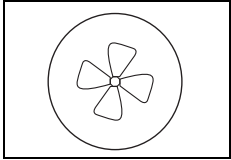


- Para elevar a ferramenta pressione o pedal para baixo até que ele encaixe.

- Avance alguns metros mais para poder aspirar a água suja residual.



- Levante o rodo.  
*Deixe a unidade de sucção a funcionar até que a água suja residual seja aspirada na mangueira.*



- Prima o botão Unidade de sucção LIG/DESLIG.  
*O indicador acende, o motor do aspirador é parado.*

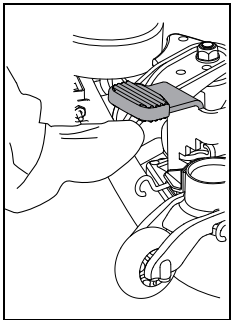
- Desligue a máquina.

### **⚠ CUIDADO:**

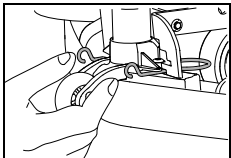
**Durante os seguintes passos para esvaziamento e limpeza, a máquina deve estar sempre desligada (interruptor principal) e a tomada para desligar bateria deve ser retida.**

### **Remover e limpar o rodo**

- Retire a mangueira de sucção dos adaptadores do bocal.
- Levante o rodo com o pé.



- Levante o rodo com o pé.



- Prima em conjunto as molas de bloqueio. Assim, o rodo é desbloqueado e pode ser retirado do suporte do bocal.

- Lave o rodo em água corrente com a ajuda de uma escova.

### **i INDICAÇÃO**

**Só serão alcançados bons resultados de aspiração com lâminas intactas e limpas!**

### **Esvaziar e limpar o tanque de recuperação e de água limpa**

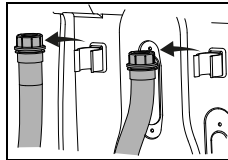
### **i INDICAÇÃO**

**Deve proceder-se à eliminação da água suja ou solução de limpeza de acordo com as normas nacionais.**

### **i INDICAÇÃO**

**Durante o esvaziamento do tanque de recuperação, tenha em atenção as normas do fabricante do produto de limpeza sobre o equipamento de proteção individual.**

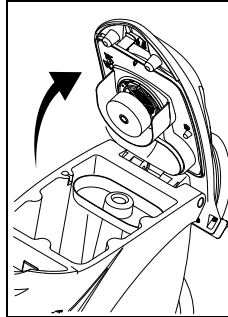
Proceda do seguinte modo:



- Tire a mangueira de drenagem da correia de ferramenta para swingo.

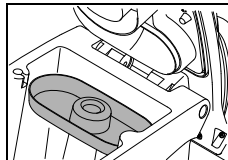
- Abra a tampa vermelha ou a azul à altura da pega, baixe lentamente a extremidade da mangueira e esvazie o tanque de recuperação ou de água limpa.

### **Limpar o depósito de recuperação e de água limpa**

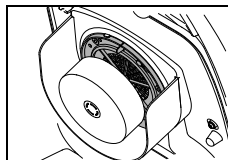


- Abra a tampa do tanque até que o suporte na parede do tanque encaixe.

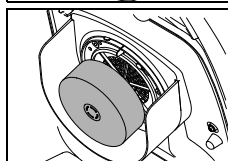
- Lave bem os depósitos de recuperação e de água limpa com água limpa.



- Tire para fora o filtro de sujidade (amarelo), esvazie-o e lave-o criteriosamente em água corrente.



- Retire o filtro de aspiração (amarelo) e remova a sujidade com um pano ou com uma escova macia.



- Controle a boia quanto à sua capacidade de funcionamento.

- Após o esvaziamento desaparafuse novamente a tampa vermelha e a azul e enganche de volta a mangueira na correia de ferramenta para swingo.

### **⚠ CUIDADO:**

**Um filtro de aspiração obstruído pode comprometer a potência de aspiração.**

- Monte novamente o filtro de sujidade (amarelo) e o filtro de aspiração.
- Coloque a mangueira de drenagem novamente na correia de ferramenta para swingo.

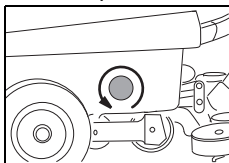
## Limpar o filtro do tanque de água limpa

### ⚠ CUIDADO:

#### No fim da operação, limpe o filtro do tanque de água limpa

Os filtros obstruídos podem impedir o abastecimento da solução de limpeza e, desta forma, causar dano no pavimento.

- A máquina deve estar desligada (interruptor principal).
- Abra o filtro do tanque de água limpa e retire-o.
- Lave-o bem com água limpa.



### i INDICAÇÃO

O filtro situa-se abaixo do escoamento do tanque. A quantidade residual da solução de limpeza é escoada apenas quando desenroscar o filtro.

- Insira novamente o filtro e feche-o.

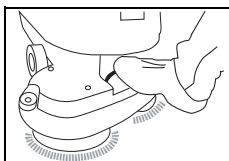
## Remover e limpar a ferramenta

### i INDICAÇÃO

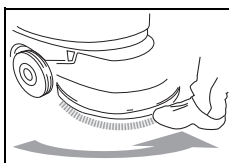
Limpe a ferramenta de cada vez que termine os trabalhos de limpeza.

- A máquina tem de estar desligada.

#### Variante: 955B / 1255B:



- Pressione com o pé brevemente mas com força na ejeção da ferramenta.



- Gire a ferramenta com o pé contra o sentido dos ponteiros do relógio para o outro lado do acoplamento da ferramenta.

- Remova as ferramentas e lave-as em água corrente.

## Limpeza da máquina

### ⚠ CUIDADO:

Nunca limpe a máquina com um dispositivo de limpeza a alta pressão ou com jato de água.

A água infiltrada na máquina pode causar danos nas peças mecânicas ou elétricas.

- Limpe a máquina com um pano húmido.

## Armazenar / Estacionar a máquina (fora de funcionamento)

### ⚠ CUIDADO:

A máquina tem de ser desligada (interruptor principal) e a tomada para desligar bateria deve ser retirada.

### i INDICAÇÃO

Guarde a máquina com o rodo e a ferramenta levantados e com a tampa do tanque aberta.

Desta forma, o tanque pode secar. Ao mesmo tempo, evita-se a formação de bolor, de fungos e dos odores desagradáveis.

### ⚠ CUIDADO:

Nunca guarde a máquina com baterias descarregadas.

As baterias ficam irreparavelmente danificadas.

## Assistência técnica, manutenção e cuidado

A manutenção da máquina é condição obrigatória para uma operação em perfeitas condições e para uma maior vida útil.

### ⚠ CUIDADO:

Só podem ser utilizadas peças originais da TASKI, caso contrário os direitos de garantia e de indemnização perdem validade.

### i INDICAÇÃO

Para excluir funções acidentais da máquina, efetue sempre os seguintes passos antes de iniciar os trabalhos de manutenção

- desligue a máquina,
- retirar a chave.

Explicações dos símbolos:

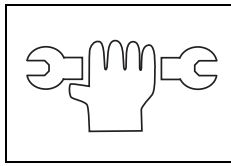
◇ = A cada final do processo de limpeza, ◇◇ = todas as semanas,

◇◇◇ = todos os meses, ⊗ = Assistência técnica Lâmpada

Tarefa	◇	◇◇	◇◇◇	⊗	Página
Carregar baterias	•				55
Abastecer com água destilada (conjunto de bateria com manutenção) Tenha em atenção o caderno de controlo do fornecedor da bateria!		•			55
Esvaziar e limpar os tanques de recuperação e tanque de água limpa	•				59
Limpar todas as peças marcadas a amarelo	•				
Limpar ferramentas	•				60
Limpar rodo, monitorizar lâminas quanto ao desgaste e, se necessário, substituir	•				59
Limpar a máquina com um pano húmido	•				60
Limpar a vedação da tampa do tanque e verificar quanto a fissuras e, se necessário, substituir	•				
Programa de manutenção / de assistência técnica executado pelo técnico de assistência da Diversey				•	

## Intervalos de manutenção

As máquinas TASKI são máquina de elevada qualidade, com segurança comprovada de fábrica por auditores autorizados. Os componentes elétricos e mecânicos estão sujeitos ao desgaste e envelhecimento quando utilizados por longos períodos de tempo.



- Para preservar a segurança da operação e a prontidão operacional tem de ser executado um serviço de assistência técnica sempre que acender o indicador de assistência (configuração de fábrica 450 horas de trabalho) ou pelo menos uma vez no ano.

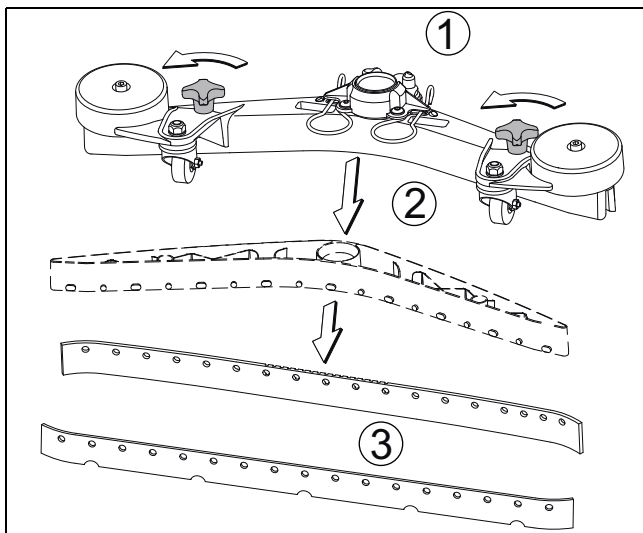
### **i** INDICAÇÃO

**Em caso de condicionantes extraordinárias e/ou manutenção insuficiente devem ser estabelecidos intervalos mais curtos.**

## Serviço ao cliente

Se, devido a uma avaria, entrar em contacto connosco, deverá indicar-nos sempre a designação do modelo e o número da máquina. Estas informações encontram-se na placa de características da sua máquina. Na última página das instruções de utilização encontrará o endereço do seu representante de assistência técnica TASKI mais próximo.

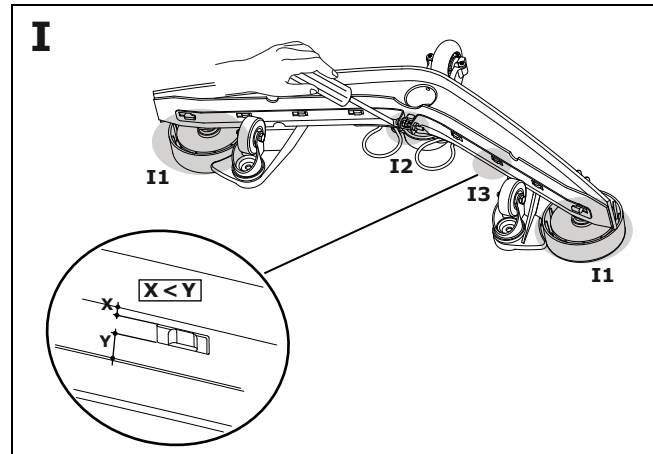
## Troca das lâminas swing 755B/855B



- Desenrosque os botões estrela (1), remova o corpo da lâmina (2) do corpo do rodo e retire as lâminas (3)
- Pode agora rodar ou substituir as lâminas.
- Insira novamente o corpo da lâmina (2) no corpo do rodo e volte a aparafusar os botões estrela (1).

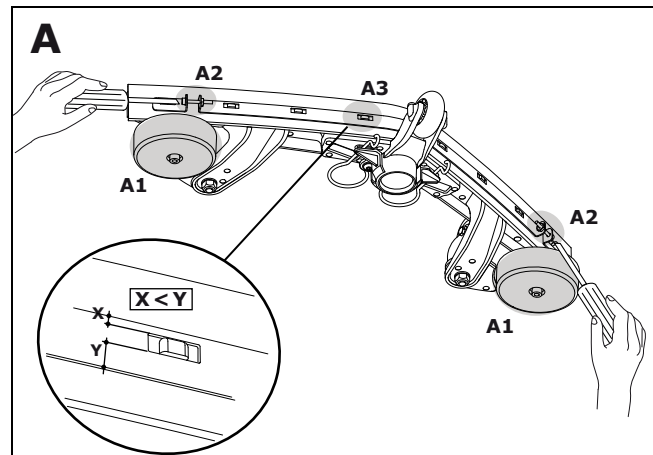
## Troca das lâminas swing 955B/1255B

Lâmina no raio interno



- Coloque o corpo do rodo limpo com as rodas de desvio para baixo, sobre uma superfície firme (mesa, chão, etc.). (Detalhe I1)
- Solte o parafuso (não remover totalmente), no meio da cinta de aperto de 2 peças até que a cinta de aperto possa ser removida. (Detalhe I2)
- Lave o corpo do rodo, lâminas e a cinta de aperto em água corrente, com uma escova.
- Monte a lâmina "usada" ou a nova lâmina no corpo do rodo.
- Coloque a cinta de aperto novamente na posição correta da lâmina (detalhe I3).
- Tensione a cinta de aperto. (Detalhe I2)

Lâmina no raio externo



- Coloque o corpo do rodo limpo com as rodas de desvio para baixo, sobre uma superfície firme (mesa, chão, etc.). (Detalhe A1)
- Solte os parafusos (não remover totalmente), à esquerda e à direita da cinta de aperto de 3 peças até que a cinta de aperto possa ser removida. (Detalhe A2)
- Lave o corpo do rodo, lâminas e a cinta de aperto em água corrente, com uma escova.
- Monte a lâmina "usada" ou a nova lâmina no corpo do rodo.
- Coloque a cinta de aperto novamente na posição correta da lâmina (detalhe A3).
- Tensione a cinta de aperto. (Detalhe A2)

## Avarias

Avaria	Causa possível	Resolução da avaria	Página
Não é possível ligar a máquina sem função	Máquina desligada	<ul style="list-style-type: none"> <li>Girar a chave</li> </ul>	52
	Tomada para desligar bateria não conectada	<ul style="list-style-type: none"> <li>Ligue a tomada para desligar bateria com a máquina</li> </ul>	52
	Fusível principal com defeito	<ul style="list-style-type: none"> <li>Inspecionar/Substituir fusível</li> <li>Contactar o representante de assistência técnica</li> </ul>	
	Imobilizador ativado ou erro no comando	<ul style="list-style-type: none"> <li>Coloque-se na placa de execução</li> </ul>	
	Baterias descarregadas ou carregador da bateria defeituoso	<ul style="list-style-type: none"> <li>Carregar bateria</li> <li>Contactar o representante de assistência técnica</li> </ul>	56
	Bateria com defeito	<ul style="list-style-type: none"> <li>Contactar o representante de assistência técnica</li> </ul>	
Não é possível desligar o conjunto de instrumentos ou a unidade de sucção	Erro na eletrónica ou no painel de controlo	<ul style="list-style-type: none"> <li>Desligar a máquina com recurso à paragem de emergência</li> <li>Contactar o representante de assistência técnica</li> </ul>	51
Escova não roda	Escova da unidade desligada	<ul style="list-style-type: none"> <li>Premir botão Escova</li> </ul>	52
	Fusível principal com defeito	<ul style="list-style-type: none"> <li>Substituir o fusível</li> </ul>	
	O motor roda, a ferramenta não	<ul style="list-style-type: none"> <li>Correia do acionamento rasgada</li> <li>Contactar o representante de assistência técnica</li> </ul>	
Potência de aspiração fraca O chão permanece molhado Água suja não é aspirada	Unidade de sucção não ligada	<ul style="list-style-type: none"> <li>Prima botão Unidade de sucção</li> </ul>	52
	Mangueira de sucção não inserida	<ul style="list-style-type: none"> <li>Inserir mangueira de sucção</li> </ul>	56
	Rodo não se encontra no solo	<ul style="list-style-type: none"> <li>Monitorizar suspensão do rodo quanto à funcionalidade</li> </ul>	56
	Lâminas gastas	<ul style="list-style-type: none"> <li>Substituir lâmina</li> </ul>	61
	Mangueira ou bocal obstruído (por ex. pedaços de madeira, restos de materiais)	<ul style="list-style-type: none"> <li>Remover corpos estranhos</li> </ul>	
	Filtro de aspiração obstruído	<ul style="list-style-type: none"> <li>Remover corpos estranhos</li> </ul>	52
	Ecrã Unidade de sucção aceso, mas aspirador não trabalha	<ul style="list-style-type: none"> <li>Inspecionar fusível, se necessário substituir</li> <li>Fusível em ordem, contactar parceiro da assistência técnica</li> </ul>	56
Unidade de sucção desliga	Tanque de recuperação cheio	<ul style="list-style-type: none"> <li>Esvaziar tanque de recuperação</li> <li>Inspecione a monitorização da bateria</li> <li>Inspecionar os fusíveis</li> </ul>	58
	Tanque de recuperação sujo	<ul style="list-style-type: none"> <li>Inspecionar ou, se necessário, limpar.</li> </ul>	59
Saída insuficiente de solução de limpeza	Tanque de solução de limpeza vazio	<ul style="list-style-type: none"> <li>Controlar tanque de solução de limpeza</li> </ul>	58
	Ajuste demasiado baixo de solução de limpeza	<ul style="list-style-type: none"> <li>Ajuste a quantidade de solução de limpeza com o botão +/-</li> </ul>	52
	Botão Solução de limpeza desligada	<ul style="list-style-type: none"> <li>Premir o botão Solução de limpeza</li> </ul>	52

## Dados técnicos

Máquina	755B	855B	955B	1255B	
Largura de trabalho	43	50	55		cm
Largura do rodo	69		80		cm
Medidas (C x L x A)	116x48x120	122x53x120	118x58x117	142x58x117	cm
Peso da máquina máximo em estado de prontidão operacional	160		179	260	kg
Voltagem	24V				CC
Potência nominal	900		1000		W
Tanque de água limpa nominal +/- 5%	40			60	l

Valores apurados de IEC 60335-2-72	755B	855B	955B	1255B	
Peso com baterias Gel (transporte)	120		139	200	kg
Peso com baterias Lithium 50Ah (transporte)	106		125	--	kg
Peso combaterias Lithium 100Ah (transporte)	99		118	169	kg
Nível de pressão acústica LpA	68	68	64	61	dB(A)
Instabilidade KpA	2.5				dB(A)
Valor total de vibração	<2.5				m/s <sup>2</sup>
Instabilidade K	0,25				m/s <sup>2</sup>
Protegido contra salpicos de água	IPX3				
Classe de proteção	III				

## Acessórios

N.º	Artigo	755B	855B	955B	1255B
7510829	Condução do disco 43 cm	1x			
8504750	Escova de lavagem em nylon 43 cm	1x			
8504780	Escova de lavagem abrasiva 43 cm	1x			
8504800	Escova de lavagem para cimento 43 cm	1x			
7510830	Condução do disco 50 cm		1x		
8504770	Escova de lavagem em nylon 50 cm		1x		
8505130	Escova de lavagem em nylon abrasiva 50 cm		1x		
8505120	Escova de lavagem para cimento 50 cm		1x		
7510634	Condução do disco 28 cm			2x	2x
7519395	Escova de lavagem 28 cm			2x	2x
7510632	Escova de lavagem para cimento 28 cm			2x	2x
7510633	Escova de lavagem abrasiva 28 cm			2x	2x
8502830	Enchimento da mangueira com água de acoplamento com ajuste de água Revoflow universal	x	x	x	x
7517125	Kit intellidose	x	x	x	x
	IntelliTrail	x	x	x	x
	Conjunto de bateria com manutenção	x	x	x	x
	Diferentes blocos, (poliéster castanho, azul, vermelho e bloco de contacto)	x	x	x	x



## Transporte

### ⚠️ ATENÇÃO:

Esta máquina só pode ser levantada com meios auxiliares (por ex., plataforma de elevação, rampa de acesso, etc.).

### ⚠️ CUIDADO:

A tomada para desligar bateria deve ser retirada para o transporte.

### i INDICAÇÃO

Transporte a máquina na vertical.

### i INDICAÇÃO

Ao fazê-lo certifique-se de que a máquina está presa com cintas e bem fixada no veículo de transporte.

## Eliminação

### i INDICAÇÃO

Depois de desmontada, a máquina e os acessórios devem ser reciclados de modo correto, em conformidade com as normas nacionais.

- O seu representante da assistência técnica Diversey pode ajudá-lo na tarefa.

## Baterias

### ⚠️ ATENÇÃO:

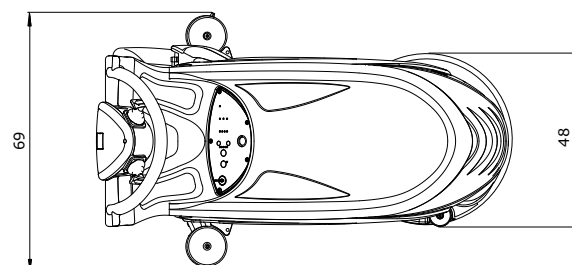
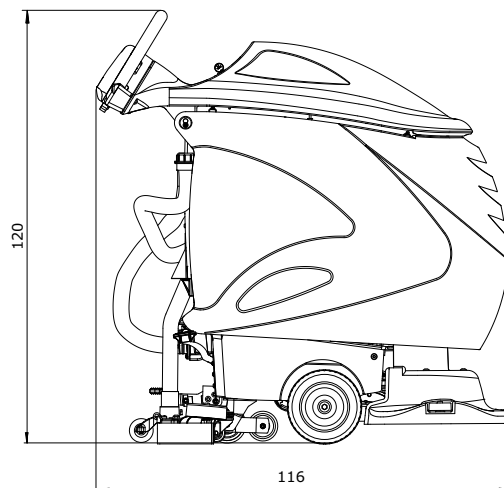
As baterias têm de ser retiradas da máquina antes de esta ser encaminhada para o ponto de eliminação.

*As baterias usadas são eliminadas de forma ecológica de acordo com as diretivas EU 2006/66/CE ou com as respetivas disposições nacionais.*

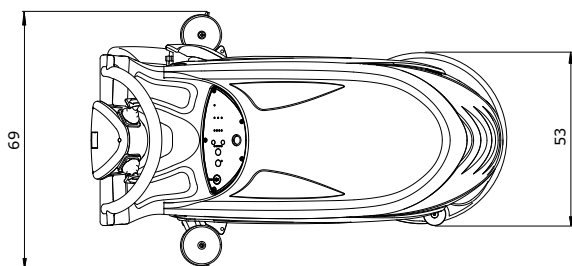
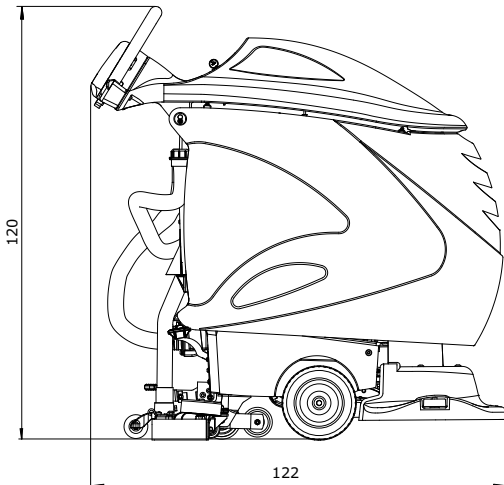
## Dimensões da máquina

Medidas em centímetros!

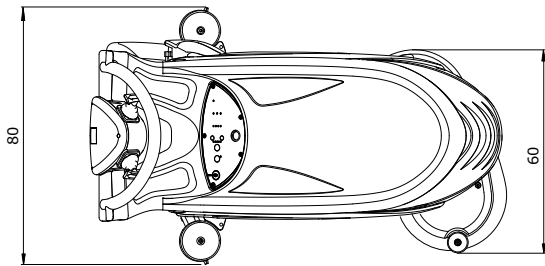
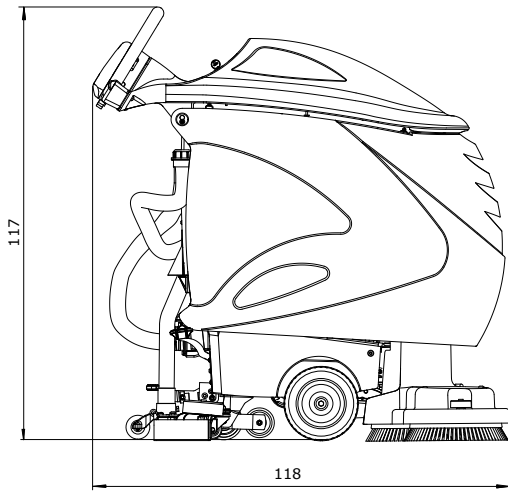
### swingo 755B



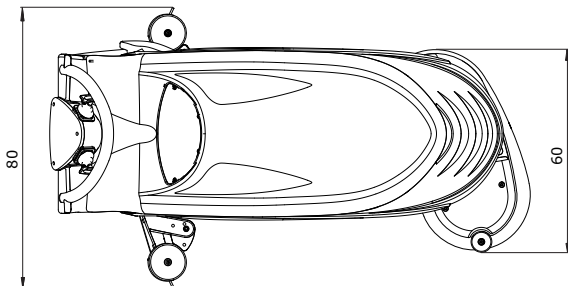
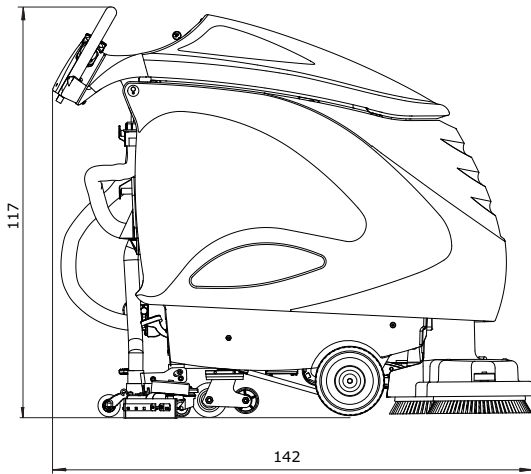
### swingo 855B



**swingo 955B**



**swingo 1255B**



<b>AT Diversey Austria Trading GmbH</b> Guglgasse 7-9 1030 Wien Tel (43) 1 605 57 0	<b>BE Diversey Belgium BVBA</b> Haachtsesteenweg 672 1910 Kampenhout Tel (32) 16 61 77 06	<b>CH Diversey Europe B.V., Utrecht</b> Zweigniederlassung Münchwilen Eschlikonerstrasse 9542 Münchwilen Tel (41) 71 969 27 27	<b>CZ Diversey</b> Ceska republika, s.r.o K Hájum 1233/2 155 00 Praha 5 Tel (420) 296 357 460
<b>DE Diversey</b> Deutschland GmbH & Co. OHG Mallaustrasse 50-56 68219 Mannheim Tel (49) 0800 82 75 473	<b>DK Diversey Danmark ApS</b> Teglbuén 10 2990 Nivaa Tel (45) 70 10 66 11	<b>ES Diversey España S.L.</b> C/Orense 4, 5 planta 28020 Madrid Tel (34) 91 394 01 75	<b>FI Diversey</b> Elieel Saarisentie 2 00400 Helsinki Tel (358) 20 747 42 30
<b>FR Diversey (France) S.A.S.</b> 9/11, avenue du Val de Fontenay 94133 Fontenay sous Bois Cédex Tel (33) 1 45 14 76 76	<b>GB Diversey Limited</b> Weston Favell Centre NN3 8PD Northampton Tel (44) 1604 405 311	<b>GR Diversey Hellas S.A.</b> 5 Himaras St 15125 Marousi Tel (30) 210 638 59 00	<b>HU Diversey Ltd.</b> Puskás Tivadar u. 6. 2040 Budaors Tel (36) 23 509 100
<b>IE Diversey Hygiene Sales Limited</b> Ballyfermot office Westlink industrial estate Kylemore road Dublin 10 Tel (353) 1 626 11 82	<b>IT Diversey S.r.L.</b> Via Meucci 40 20128 Milano Tel (39) 02 25 80 32 33	<b>MT Forestals (Appliances) Ltd.</b> The Strand SLM 07 Sliema Tel (356) 21 344 700-7	<b>NL Diversey B.V.</b> Maarssebroeksedijk 2 P.O. Box:40441 3542 DN Utrecht Tel (31) 30 247 69 11
<b>NO Lilleborg Profesjonell</b> Postboks 673 - Skøyen 0214 Oslo Tel (47) 815 36 000	<b>PL Diversey Polska Sp. Z o.o.</b> Aleje Jerozolimskie 134 02-305 Warsaw Tel (+48) 161 1700	<b>PT Diversey Portugal-Sistemas de Higiene e Limpeza Unipessoal Lda</b> Rua Victor Cãmara Edifício Q61 D. Amélia, 1º andar, Lado B Quinta da Fonte 2770-229 Paço de Arcos Tel (351) 2 191 57 000	<b>RO Diversey Romania S.R.L.</b> Baneasa Business Center, Etaj 5 Sos.Bucuresti - Ploiesti 17-21 Sector 1, Bucuresti Tel (40) 21 233 3894
<b>RU LLC Diversey</b> 125445, Russia, Moscow, 24D Smolnaya str, Meridian Commercial Tower 2d floor Tel (7) 095 970 17 97	<b>SV Diversey Sverige AB</b> Liljeholmsvägen 18 Box 47313 10074 Stockholm Tel (46) 877 99 300	<b>SK Diversey Slovensko s.r.o</b> Rybničná 40 831 06 Bratislava Tel (421) 2 4445 4895	<b>SL Diversey d.o.o.</b> Trzaska cesta 37a 2000 Maribor Tel (386) 2 320 7000
<b>TR Diversey Sanayi ve Ticaret A.S.</b> İçerenköy Mahallesi, Bahçelerarası Sok.No:43 34752 Ataşehir / İstanbul, Türkiye Tel (90) 216 57 86 400	<b>US Diversey</b> 2415 Cascade Pointe Boulevard Charlotte, NC USA, 28277 Tel 1-800-827-5487	<b>CA Diversey</b> 3755 Laird Road Mississauga, Ontario CANADA L5L 0B3 Tel 1-800-827-5487	